

PAVING BREAKERS

Safety, Operating, Maintenance Instructions & Spare Parts List



MPB-30A 1"
MPB-30A 7/8"



MPB-35C 1"



MPB-60A 1 1/4"
MPB-60A 1 1/8"



MPB-60AS 1 1/4"
MPB-60AS 1 1/8"



MPB-60AF 1 1/4"
MPB-60AF 1 1/8"



MPB-60AFS 1 1/4"
MPB-60AFS 1 1/8"



MPB-90A 1 1/4"
MPB-90A 1 1/8"



MPB-90AS 1 1/4"
MPB-90AS 1 1/8"



MPB-90AF 1 1/4"
MPB-90AF 1 1/8"



MPB-90AFS 1 1/4"
MPB-90AFS 1 1/8"



CONTENTS

Safety Instructions.....	4
General Instructions.....	4
Prior To Start Up.....	4
Utilization.....	5
Operation / maintenance.....	6
Procedure For Ordering Parts.....	7
Design Specifications & Marking Details	8
Spare Parts list.....	10
MPB-35C.....	10
MPB-30A.....	12
MPB-60A.....	14
MPB-90A.....	16
MPB-60AS.....	18
MPB-90AS.....	20
MPB-60AF.....	22
MPB-90AF.....	24
MPB-60AFS.....	26
MPB-90AFS.....	28
Warranty Policy.....	30

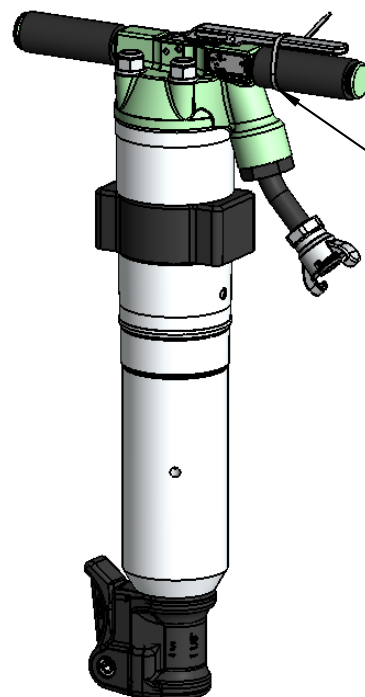
SAFETY INSTRUCTION

GENERAL INSTRUCTIONS

- Prior to using these tools, become familiar with any local regulations. It is essential to carry out any specific safety instructions concerning the site or place of operation.
- Make sure that only persons authorized to use compressed air equipment have access to the work area. Only trained persons over 18 years of age are authorized to use these tools.
- Always wear protective clothing and equipment (PPE) against:
 - Atmospheric exposure: appropriate, resistant, waterproof clothing. Never wear baggy clothes, rings or chains, which could become caught in moving parts or tools.
 - Heat or cold, tool vibrations: gloves.
 - Noise: hearing protectors.
 - Shocks: Helmet, safety shoes with non-slip soles.
 - Projectile risks: safety glasses, face guard.
 - Pollution: facemask.
- Never service these tools using dangerous products: gas/oil (diesel) petrol (gasoline) or any volatile ingredients. (explosion risk).
- Keep these tools clean, especially handles.
- Follow OSHA standards and/or any applicable Federal, State or Local codes and regulations where they apply.

PRIOR TO START UP

- Check that the tool is in good condition: no cracks, fissures or scaling.
- Make sure all bolts are undamaged and correctly tightened and that safety devices fitted to the equipment are in position and function correctly.
- Check for sleeve, shank and collar wear, which if too high could cause the ejection of the steel (bit) or other machine parts.
- Make sure that the clamp or mechanism retaining the steel (bit) is in good condition.
- Only use steel (bit) in accordance with manufacturer's specifications.
- Check steel (bit) sharpness, shank condition and wear. Check steel (bit) grinding and steel (bit) clearances and that the blowhole is in good condition for drilling hammers.
- Check the air hose, which must not be cracked or have any deep abrasions and make sure all gaskets are in place and in good condition.
- Make air hose connections safe from accidental disconnection by using appropriate safety clips.



IMPORTANT:



Cut and remove this seal before connecting these tools to the compressed air supply.

UTILIZATION

- Only use the sleeve (couplings) specifically recommended for connecting these tools to the supply air hose (except for tools with rotating connections).
- Never pressurize an air hose (except during controlled venting) when not connected to the tool.
- Use only a constant compressed air supply for the equipment and do not exceed the maximum rated pressure, 7 bar or 100 psi.
- Do not use these tools for purposes for which they were not designed.
- Never use these tools without a steel (bit) or without the steel (bit) being completely inserted and latched **or retained** properly.
- Before any work, make sure that the steel (bit) cannot come in contact with any ducting or container transporting or containing fluids or electrical, telephone or other cables.
- Never point these tools or compressed air hose towards people or animals.
- To avoid any risk of sudden pressurization (air hose whipping risk)
- The compressor air valve should be opened progressively.
- Prior to start up, operator should be in a stable position and holding the tool firmly with two hands without pressing on the trigger or throttle.
- Start up the tool progressively to avoid any unexpected toolsteel (bit) movements on the working surface.
- Make a tapping hole of a few cm / in. before drilling with full power.
- Never hold the tool by the clamp (hose).
- Orient the exhaust orifices to avoid any dangerous projections.
- Never manipulate the steel (bit) without gloves, because of the burn danger.
- Never let the steel (bit) rest on a foot.
- Never allow the tool to lean on its trigger, to avoid uncontrolled start-ups.
- Never leave the tool unprotected on the ground in dirt or mud.
- Never use the air hose to move these tools.
- Stop the tool before moving it.
- After every shutdown, check all connections before re-pressurizing the air hose and tool operating system.
- Never disconnect a pressurized air hose without having shut off the air supply service valve. Wait until system has vented or make sure it has vented by running the tool until all pressure has been released.
- When not in use, disconnect the tool to avoid accidental restarting. Store the air tools under cover and out of reach of children.

OPERATION/MAINTENANCE

RECOMMENDATION

- Before starting the tool make sure you comply with the safety instructions give in the safety section above.
- Required output: Prior to start-up make sure that the compressor output is adequate for supplying all connected air tools simultaneously at the recommended pressure.
- Important: A very long air hose, quick release couplings and connections can cause pressure drops resulting in a reduced compressed air pressure. Use connections having a maximum internal diameter, to reduce pressure losses.
- Vent (to clean) supply lines by using a progressive air blast (slowly opening tap/service valve) and make sure any impurities cannot penetrate into the tool when connecting up.
- Operating pressure: Must not exceed **7 bar or 100 psi**. It must be checked as close as possible to the tool and while it is operating normally.
- Use correctly ground steel (bit) in good condition.
- Do not use excessive force when mounting, bearing down on, tools to avoid “imbedding” the steel (bit). When running, it must be possible to see dust discharging along the whole length of the steel (bit).
- **Lubrication:** Paving breakers, Chipping hammers and other demolition tools do not require any line lubrication under normal service conditions. The residual oil content in the compressed air usually provides sufficient lubrication. However, under certain conditions (compressed air cooled by an after cooler, or a very long supply line air hose or manifold) a very light oil can be used. Lubrication is achieved by injecting 0.5 oz (15mL) of oil into the equipment, via the sleeve fitting/air inlet (or use an inline oiler, set to lowest position); this operation should be carried out at the end of the working day, and prior to each extended stoppage or storage.
- **Lubrication:** Drilling hammers are fitted with an oil reservoir, which should be filled up with a bodied oil (e.g. EP 140 or SAE 90 Wt.) oil before each drilling operation. Top end lubrication is same as above. When operating, monitor that the steel (bit) shank is correctly greased.
- **Storage:** After lubrication, store the tool vertically with the retainer at the bottom in a sheltered place.
- **Operation problems:** If the piston gums up, only lubricate with the oil recommended.
- Never attempt to modify or repair any tool yourself, call in an authorized Sullair Sales Service Dealer, and only use original Sullair accessories and parts.

Sullair reserves the right to modify products and specifications without prior notice.

PROCEDURE FOR ORDERING PARTS

You should order parts from the nearest authorized Sullair representative or the representative from whom the pneumatic tool was purchased. If for any reason you cannot obtain parts in this manner, contact the factory directly at the address, phone number, or website listed below.

Sullair North American Operations
3700 East Michigan Boulevard
Michigan City, IN 46360 USA
www.sullair.com
1-800-SULLAIR (USA only)
1-219-879-5451 (non-USA)

When ordering parts, always indicate the model and serial number of the tool. You can get the serial number from the Bill of Lading for the tool, from the Serial Number Plate located on the tool (see page # 8: serial number plate location) and when applicable on the barrel of the tool.

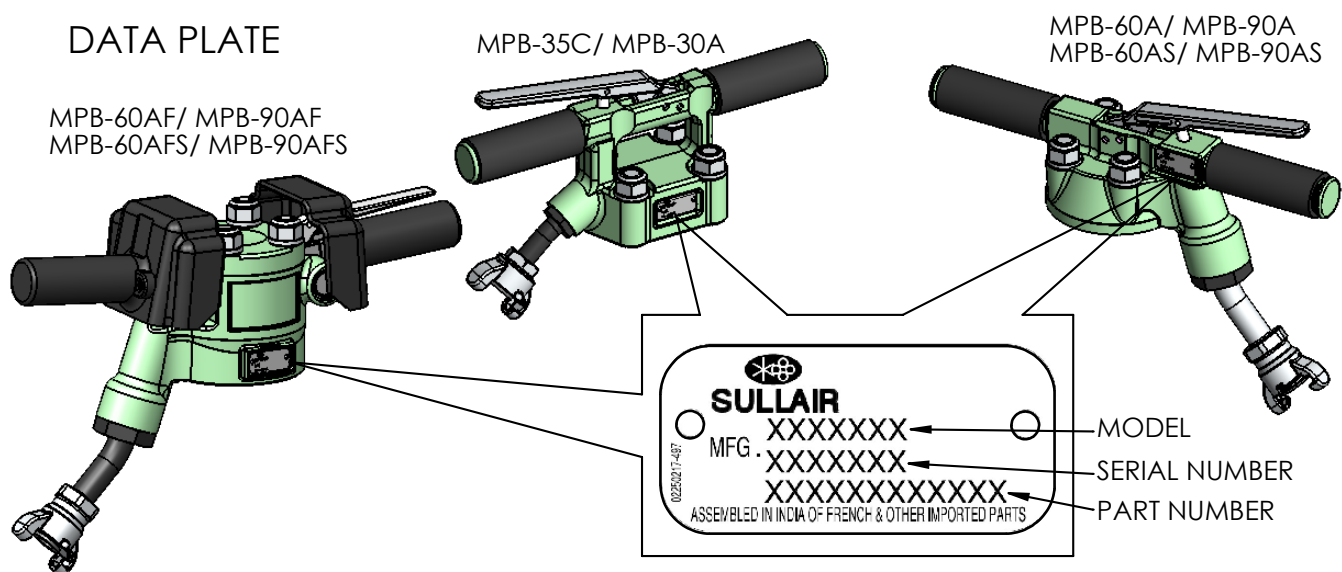
The genuine Sullair service parts listed meet or exceed the demands of this pneumatic tool. Use of replacement parts other than those approved by Sullair will void the Sullair warranties specific to this product and may lead to hazardous conditions over which Sullair has no control. Such conditions include, but are not limited to, bodily injury and tool failure.

PAVING BREAKER DESIGN SPECIFICATIONS

Model	Tool No.	Weight		Length		Bore & Stroke	Impact Rate	Air Consumption		Air Inlet	Chuck Size	
		lbs	Kg	in	Cm	in	B P M	CFM	m ³ /min	in	in	mm
MPB-35C	68253092	39.86	18.12	25 ^{1/2}	64.77	1 ^{3/4} x 5 ^{5/16}	1200	49	1.39	3/8"	1" HX x 4 ^{1/4} "	25 HEX x 108
MPB-30A	68253075	38.21	17.37	23	58.42	1 ^{25/32} x 3 ^{25/32}	1850	37	1.05	3/8"	1" HX x 4 ^{1/4} "	25 HEX x 108
	68253074	38.65	17.57	23	58.42	1 ^{25/32} x 3 ^{25/32}	1850	37	1.05	3/8"	7/8" HX x 3 ^{1/4} "	22 HEX x 82
MPB-60A	68253073	67.14	30.52	26 ^{1/2}	67.31	2 ^{5/32} x 5 ^{5/32}	1360	48	1.36	3/4"	1 ^{1/4} " HX x 6"	32 HEX x 152
	68253072	67.14	30.52	26 ^{1/2}	67.31	2 ^{5/32} x 5 ^{5/32}	1360	48	1.36	3/4"	1 ^{1/8} " HX x 6"	28 HEX x 152
MPB-90A	68253071	88.79	40.36	27 ^{1/2}	69.85	2 ^{7/16} x 5 ^{9/32}	1380	62	1.76	3/4"	1 ^{1/4} " HX x 6"	32 HEX x 152
	68253070	88.79	40.36	27 ^{1/2}	69.85	2 ^{7/16} x 5 ^{9/32}	1380	62	1.76	3/4"	1 ^{1/8} " HX x 6"	28 HEX x 152
MPB-60AF	68255005	75.20	34.18	28 ^{1/8}	71.44	2 ^{5/32} x 5 ^{5/32}	1360	48	1.36	3/4"	1 ^{1/4} " HX x 6"	32 HEX x 152
	68255004	75.20	34.18	28 ^{1/8}	71.44	2 ^{5/32} x 5 ^{5/32}	1360	48	1.36	3/4"	1 ^{1/8} " HX x 6"	28 HEX x 152
MPB-90AF	68255003	96.80	44.00	28 ^{7/8}	73.34	2 ^{7/16} x 5 ^{9/32}	1380	62	1.76	3/4"	1 ^{1/4} " HX x 6"	32 HEX x 152
	68255002	96.80	44.00	28 ^{7/8}	73.34	2 ^{7/16} x 5 ^{9/32}	1380	62	1.76	3/4"	1 ^{1/8} " HX x 6"	28 HEX x 152
MPB-60AS	68253083	64.77	29.44	26 ^{3/4}	67.95	2 ^{5/32} x 5 ^{3/32}	1360	48	1.36	3/4"	1 ^{1/4} " HX x 6"	32 HEX x 152
	68253082	64.77	29.44	26 ^{3/4}	67.95	2 ^{5/32} x 5 ^{3/32}	1360	48	1.36	3/4"	1 ^{1/8} " HX x 6"	28 HEX x 152
MPB-90AS	68253081	92.22	41.92	27 ^{1/8}	68.90	2 ^{7/16} x 5 ^{9/32}	1380	62	1.76	3/4"	1 ^{1/4} " HX x 6"	32 HEX x 152
	68253080	92.22	41.92	27 ^{1/8}	68.90	2 ^{7/16} x 5 ^{9/32}	1380	62	1.76	3/4"	1 ^{1/8} " HX x 6"	28 HEX x 152
MPB-60AFS	68255009	72.03	32.74	28 ^{1/4}	71.76	2 ^{5/32} x 5 ^{5/32}	1360	48	1.36	3/4"	1 ^{1/4} " HX x 6"	32 HEX x 152
	68255008	72.03	32.74	28 ^{1/4}	71.76	2 ^{5/32} x 5 ^{5/32}	1360	48	1.36	3/4"	1 ^{1/8} " HX x 6"	28 HEX x 152
MPB-90AFS	68255007	100.01	45.46	28 ^{7/8}	73.34	2 ^{7/16} x 5 ^{9/32}	1380	62	1.76	3/4"	1 ^{1/4} " HX x 6"	32 HEX x 152
	68255006	100.01	45.46	28 ^{7/8}	73.34	2 ^{7/16} x 5 ^{9/32}	1380	62	1.76	3/4"	1 ^{1/8} " HX x 6"	28 HEX x 152

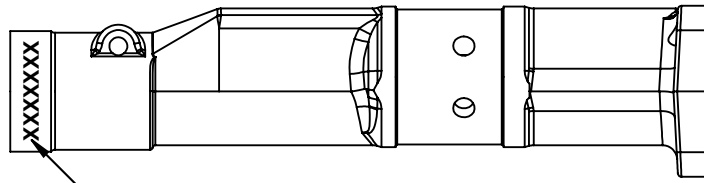
MARKING DETAILS

DATA PLATE



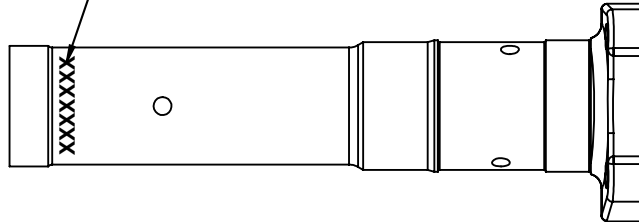
CYLINDER

68723211 (CYLINDER,MPB-35C)

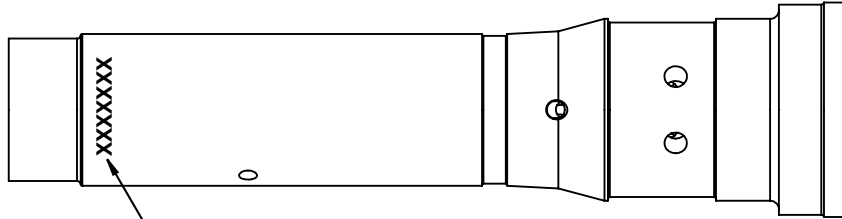


SERIAL NUMBER LOCATION

68723133 (CYLINDER,MPB-30A)

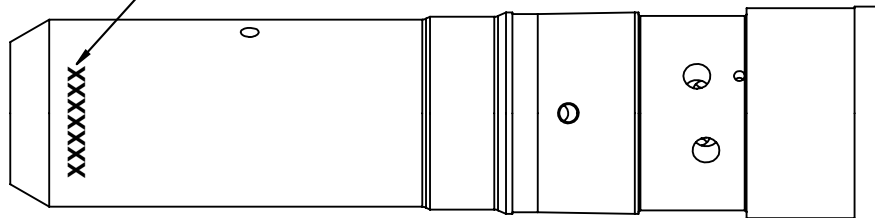


68722313 (CYLINDER,MPB-60A/ MPB-60AF)

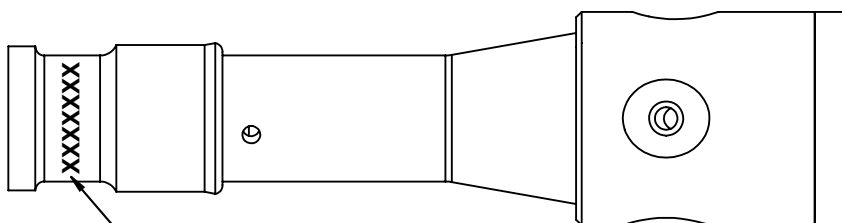


SERIAL NUMBER LOCATION

68722300 (CYLINDER,MPB-90A/ MPB-90AF)



68723126 (CYLINDER,MPB-60AFS/ MPB-60AS)

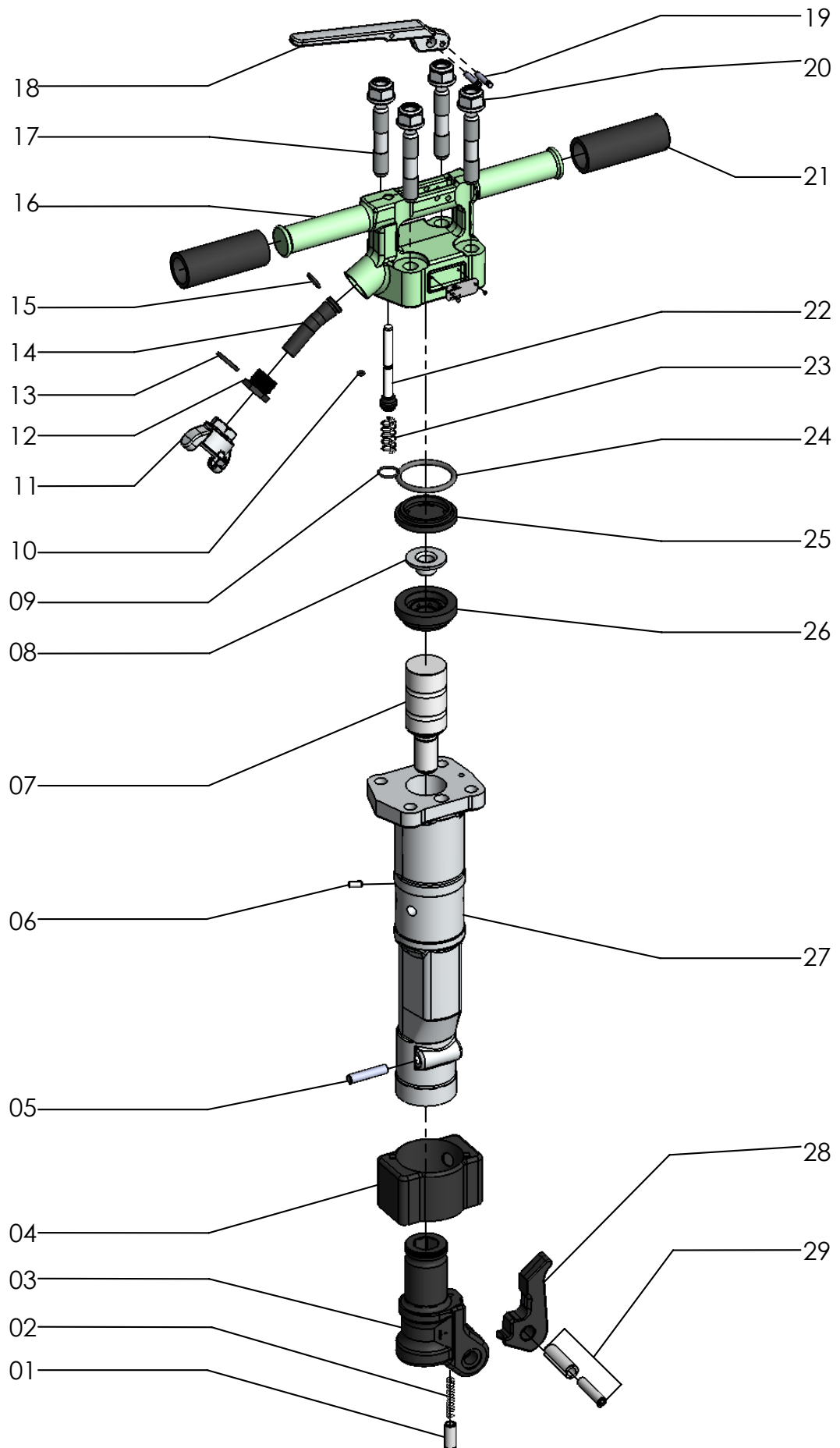


SERIAL NUMBER LOCATION

68722316 (CYLINDER,MPB-90AFS/ MPB-90AS)



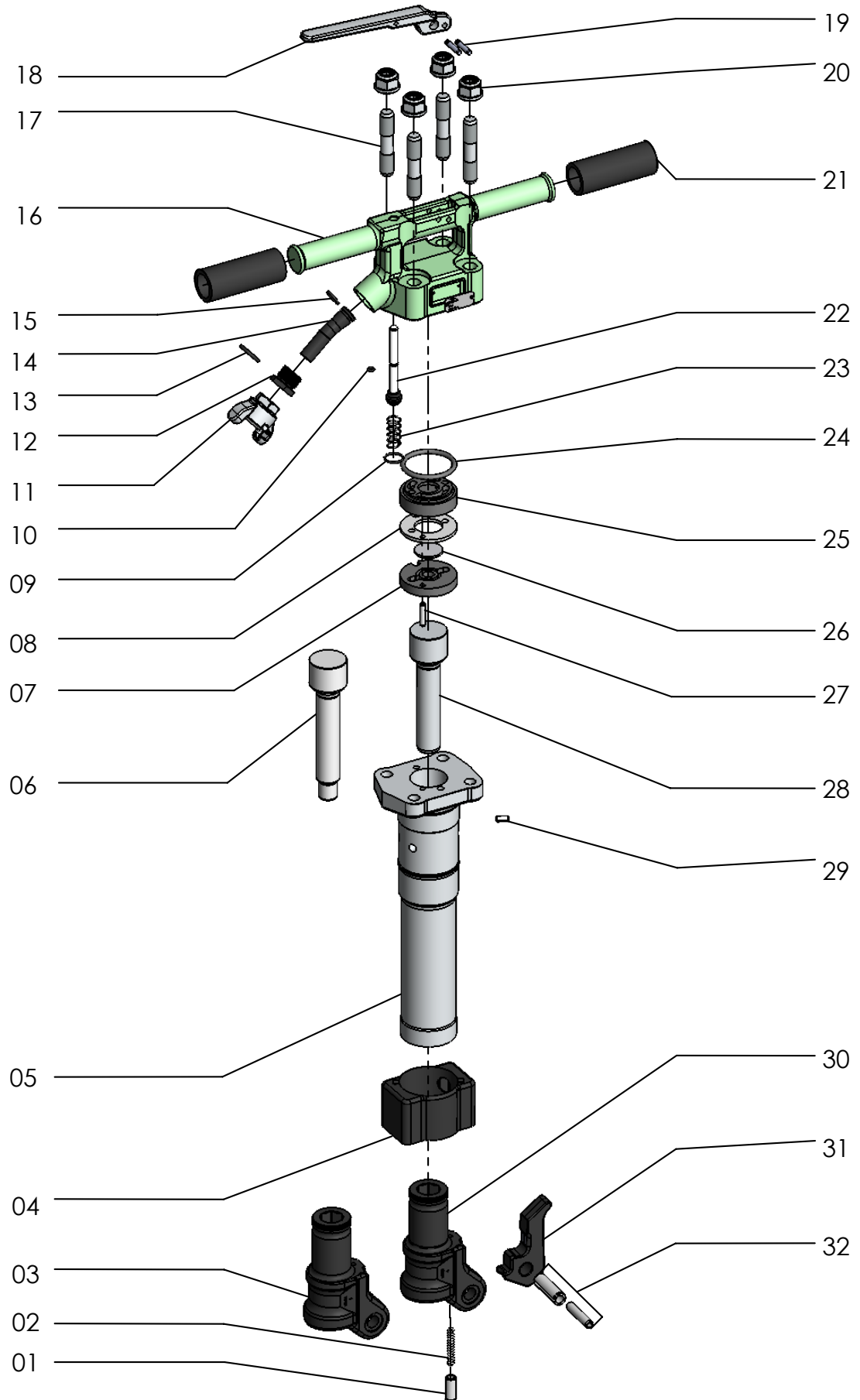
MPB-35C 1" (68253092)



MPB-35C 1" (68253092)

ILLUS NO.	PART NUMBER	DESCRIPTION	QTY.
1	68722737	PLUNGER, STEEL RETAINER	1
2	68 MR 0707	SPRING, RETAINER PLUNGER	1
3	68723007	FRONTHEAD-1"	1
4	68722741	DEFLECTOR, EXHAUST	1
5	68524011	PIN	1
6	68524129	PIN, EXHAUST DEFLECTOR	1
7	68723102	PISTON	1
8	68722740	VALVE, AUTOMATIC	1
9	68 CJ 0820	O-RING	1
10	68 CJ 0005	O-RING	1
11	02250140-797	COUPLING, UNIVERSAL HOSE	1
12	68722382	NUT, AIR INLET SWIVEL	1
13	68 CJ 0018	O-RING	1
14	68722381	SWIVEL, AIR INLET	1
15	68 CJ 0012	O-RING	1
16	68723109	HANDLE, BARE	1
17	68722414	STUD, BACKHEAD HANDLE	4
18	68723110	LEVER, THROTTLE	1
19	68723013	PIN, THROTTLE LEVER	2
20	68 VE 9016	NUT, BACKHEAD STUD	4
21	68723111	GRIP, RUBBER HANDLE	2
22	68722785	VALVE, THROTTLE	1
23	68 MR 1600	SPRING, THROTTLE VALVE	1
24	68 CJ 0034	O-RING	1
25	68722739	CHEST, VALVE	1
26	68722738	SEAT, VALVE	1
27	68723211	CYLINDER	1
28	68723212	LATCH, RETAINER	1
29	68780367	PIN, RETAINER KIT	1

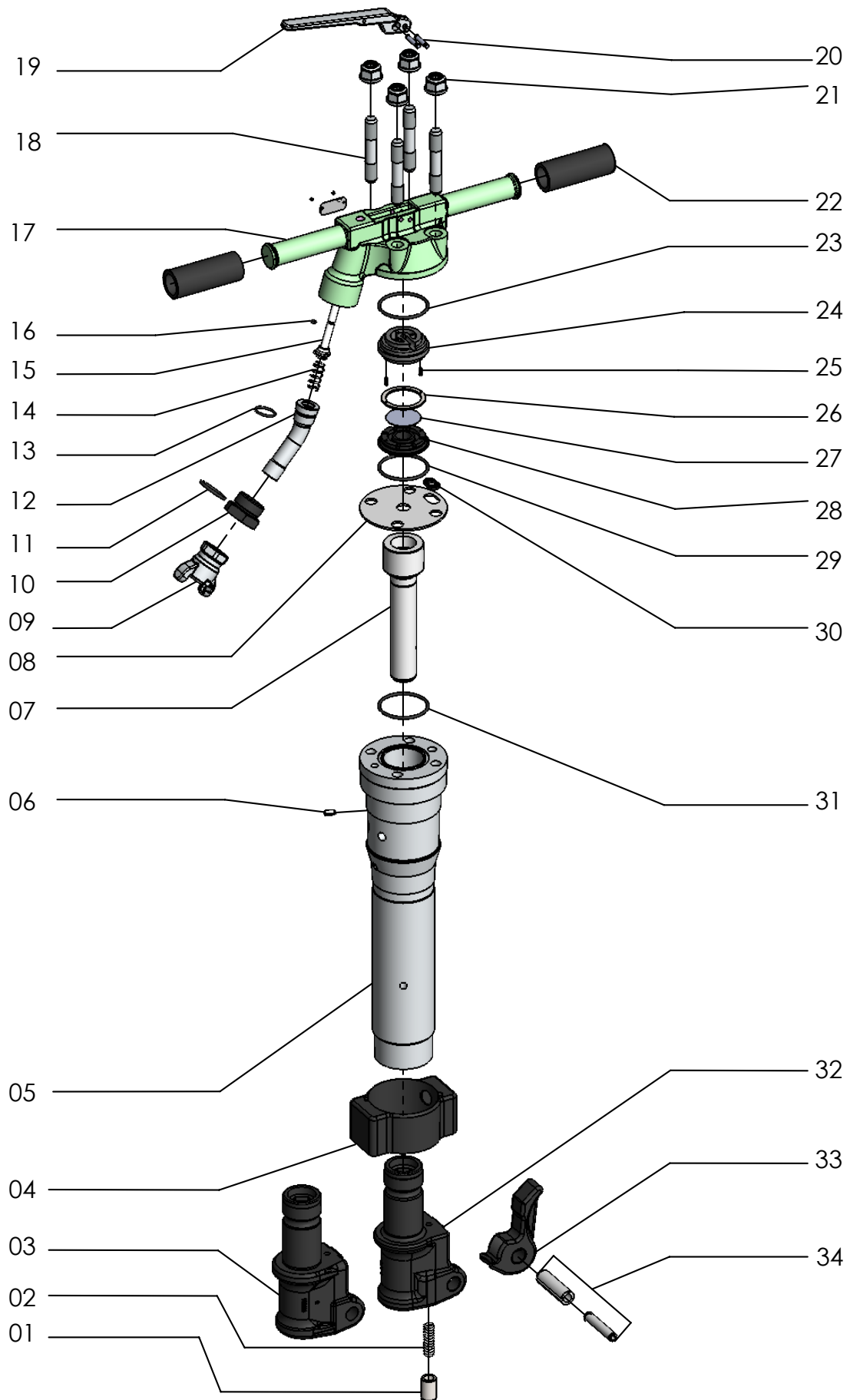
MPB-30A 1" (68253075)
MPB-30A 7/8" (68253074)



MPB-30A 1" (68253075)
 MPB-30A 7/8" (68253074)

ILLUS NO.	PART NUMBER	DESCRIPTION	QTY.
1	68722737	PLUNGER, STEEL RETAINER	1
2	68 MR 0707	SPRING, RETAINER PLUNGER	1
3	68722594	FRONTHEAD-7/8" [USE ON MPB-30A 7/8" (68253074)]	1
4	68722453	DEFLECTOR, EXHAUST	1
5	68723133	CYLINDER	1
6	68722513	PISTON, FOR 7/8"HEX [USE ON MPB-30A 7/8" (68253074)]	1
7	68722385	BODY, LOWER VALVE	1
8	68722384	GUIDE VALVE	1
9	68 CJ 0820	O-RING	1
10	68 CJ 0005	O-RING	1
11	02250140-797	COUPLING, UNIVERSAL HOSE	1
12	68722382	NUT, AIR INLET SWIVEL	1
13	68 CJ 0018	O-RING	1
14	68722381	SWIVEL, AIR INLET	1
15	68 CJ 0012	O-RING	1
16	68723109	HANDLE, BARE	1
17	68722414	STUD, BACKHEAD HANDLE	4
18	68723110	LEVER, THROTTLE	1
19	68723013	PIN, THROTTLE LEVER	2
20	68 VE 9016	NUT, BACKHEAD STUD	4
21	68723111	GRIP, RUBBER HANDLE	2
22	68722785	VALVE, THROTTLE	1
23	68 MR 1600	SPRING, THROTTLE VALVE	1
24	68 CJ 0034	O-RING	1
25	68722386	BODY, UPPER VALVE	1
26	68 ML 3426	DISC, VALVE	1
27	68 VV 5630	DOWEL, VALVE	1
28	68722388	PISTON, FOR 1" HEX [USE ON MPB-30A 1" (68253075)]	1
29	68524129	PIN, EXHAUST DEFLECTOR	1
30	68722583	FRONTHEAD-1" [USE ON MPB-30A 1" (68253075)]	1
31	68723212	LATCH, RETAINER	1
32	68780367	PIN, RETAINER KIT	1

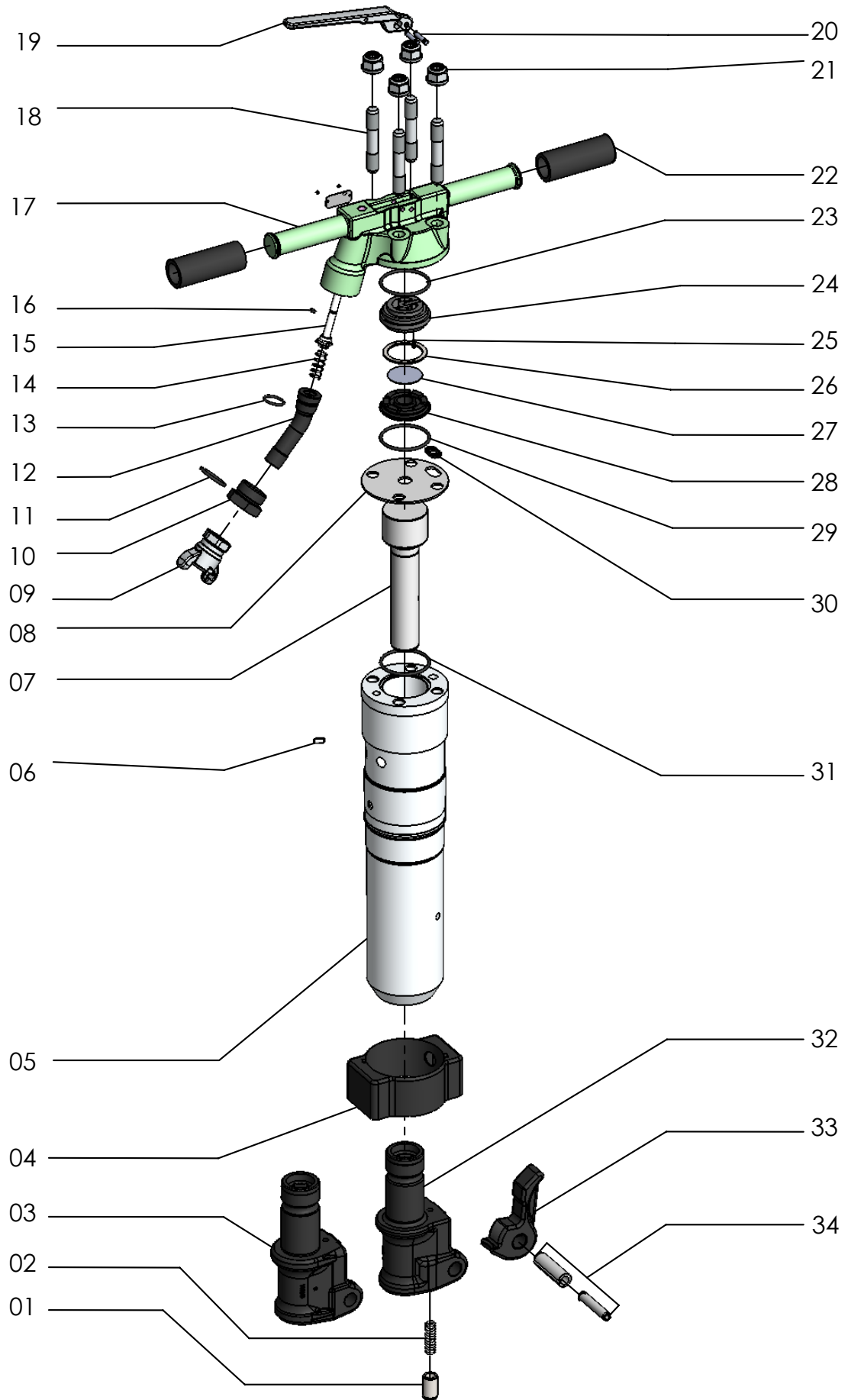
MPB-60A 1 1/4" (68253073)
MPB-60A 1 1/8" (68253072)



MPB-60A 1 1/4" (68253073)
 MPB-60A 1 1/8" (68253072)

ILLUS NO.	PART NUMBER	DESCRIPTION	QTY.
1	68722586	PLUNGER, STEEL RETAINER	1
2	68 MR 1301	SPRING, RETAINER PLUNGER	1
3	68722579	FRONTHEAD-1 1/4" [USE ON MPB-60A 1 1/4" (68253073)]	1
4	68722454	DEFLECTOR, EXHAUST MPB-60A	1
5	68722313	CYLINDER, MPB-60A	1
6	68524129	PIN, EXHAUST DEFLECTOR	1
7	68723569	PISTON, MPB-60A	1
8	68722493	PLATE, CYLINDER END	1
9	040383	COUPLING, UNIVERSAL HOSE US	1
10	68722303	NUT, AIR INLET SWIVEL	1
11	68 CJ 0026	O-RING	1
12	68723227	SWIVEL, AIR INLET MPB-60A	1
13	68 CJ 0825	O-RING	1
14	68 MR 1600	SPRING, THROTTLE VALVE	1
15	68722781	VALVE, THROTTLE	1
16	68 CJ 0005	O-RING	1
17	68723108	HANDLE, BARE (T)	1
18	68722027	STUD, BACKHEAD T-HANDLE	4
19	68723110	LEVER, THROTTLE	1
20	68723013	PIN, THROTTLE LEVER	2
21	68 VE 9016	NUT, BACKHEAD STUD	4
22	68723111	GRIP, RUBBER HANDLE	2
23	68522101	O-RING, VALVE CHEST	1
24	68722730	CHEST, VALVE	1
25	68 VV 8912	DOWEL, VALVE	2
26	68721513	GUIDE, VALVE	1
27	68721008	DISC, VALVE	1
28	68722574	SEAT, VALVE	1
29	68522101	O-RING, VALVE CHEST	1
30	68722536	SEAL, CYLINDER PORT	1
31	68522101	O-RING, VALVE CHEST	1
32	68722581	FRONT HEAD- 1 1/8" [USE ON MPB-60A 1 1/8" (68253072)]	1
33	68723244	LATCH, RETAINER	1
34	68780320	PIN, RETAINER KIT	1

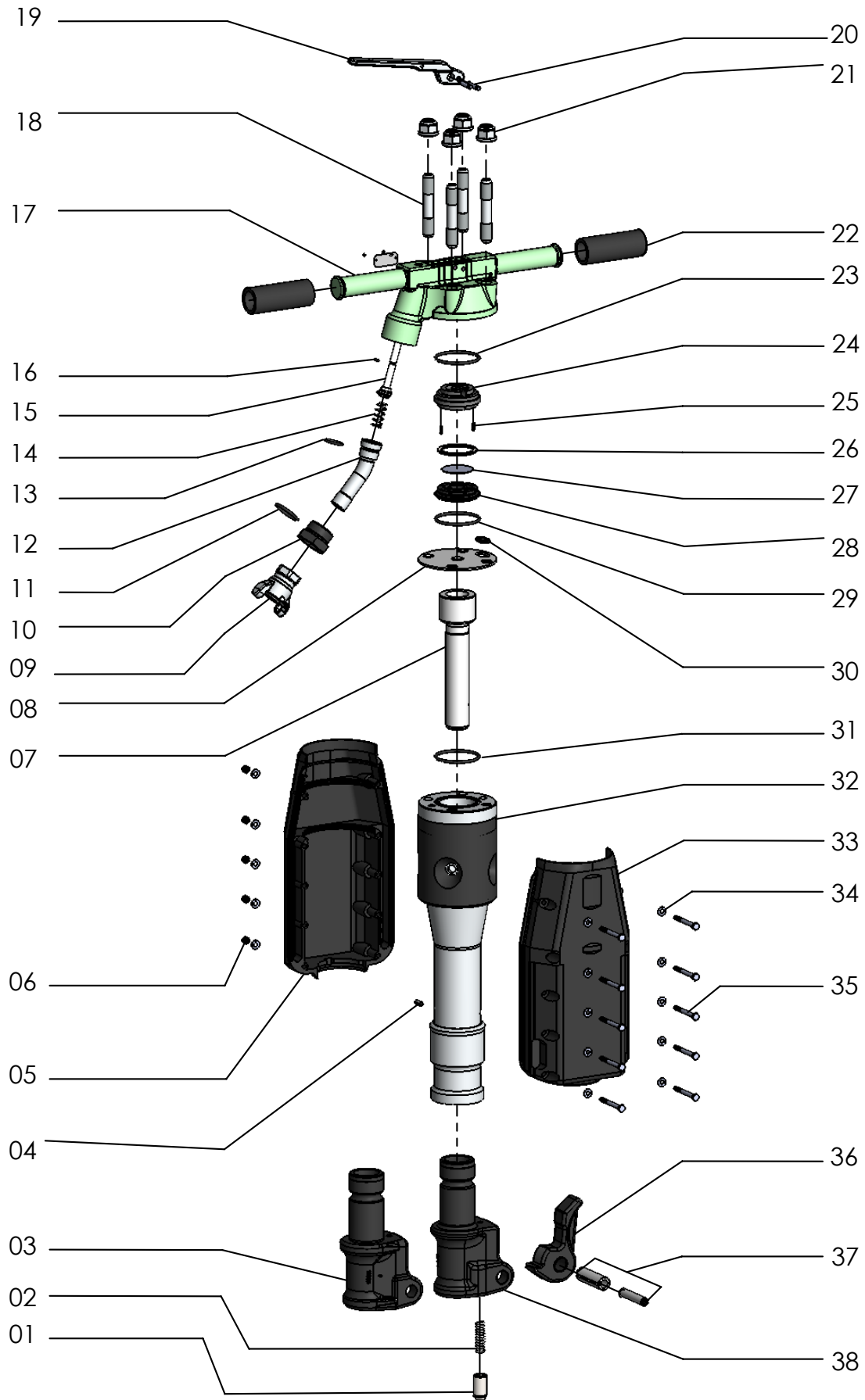
MPB-90A 1 1/4" (68253071)
MPB-90A 1 1/8" (68253070)



MPB-90A 1 1/4" (68253071)
 MPB-90A 1 1/8" (68253070)

ILLUS NO.	PART NUMBER	DESCRIPTION	QTY.
1	68722586	PLUNGER, STEEL RETAINER	1
2	68 MR 1301	SPRING, RETAINER PLUNGER	1
3	68722579	FRONTHEAD-1 1/4" [USE ON MPB-90A 1 1/4" (68253071)]	1
4	68722455	DEFLECTOR, EXHAUST MPB-90A	1
5	68722300	CYLINDER, MPB-90A	1
6	68524129	PIN, EXHAUST DEFLECTOR	1
7	68722301	PISTON, MPB-90A	1
8	68722493	PLATE, CYLINDER END	1
9	040383	COUPLING, UNIVERSAL HOSE US	1
10	68722303	NUT, AIR INLET SWIVEL	1
11	68 CJ 0026	O-RING	1
12	68723226	SWIVEL, AIR INLET MPB-90A	1
13	68 CJ 0825	O-RING	1
14	68 MR 1600	SPRING, THROTTLE VALVE	1
15	68722781	VALVE, THROTTLE	1
16	68 CJ 0005	O-RING	1
17	68723108	HANDLE, BARE (T)	1
18	68722027	STUD, BACKHEAD T-HANDLE	4
19	68723110	LEVER, THROTTLE	1
20	68723013	PIN, THROTTLE LEVER	2
21	68 VE 9016	NUT, BACKHEAD STUD	4
22	68723111	GRIP, RUBBER HANDLE	2
23	68522101	O-RING, VALVE CHEST	1
24	68722730	CHEST, VALVE	1
25	68 VV 8912	DOWEL, VALVE	2
26	68721513	GUIDE, VALVE	1
27	68721008	DISC, VALVE	1
28	68722574	SEAT, VALVE	1
29	68522101	O-RING, VALVE CHEST	1
30	68722536	SEAL, CYLINDER PORT	1
31	68522101	O-RING, VALVE CHEST	1
32	68722581	FRONT HEAD- 1 1/8" [USE ON MPB-90A 1 1/8" (68253070)]	1
33	68723244	LATCH, RETAINER	1
34	68780320	PIN, RETAINER KIT	1

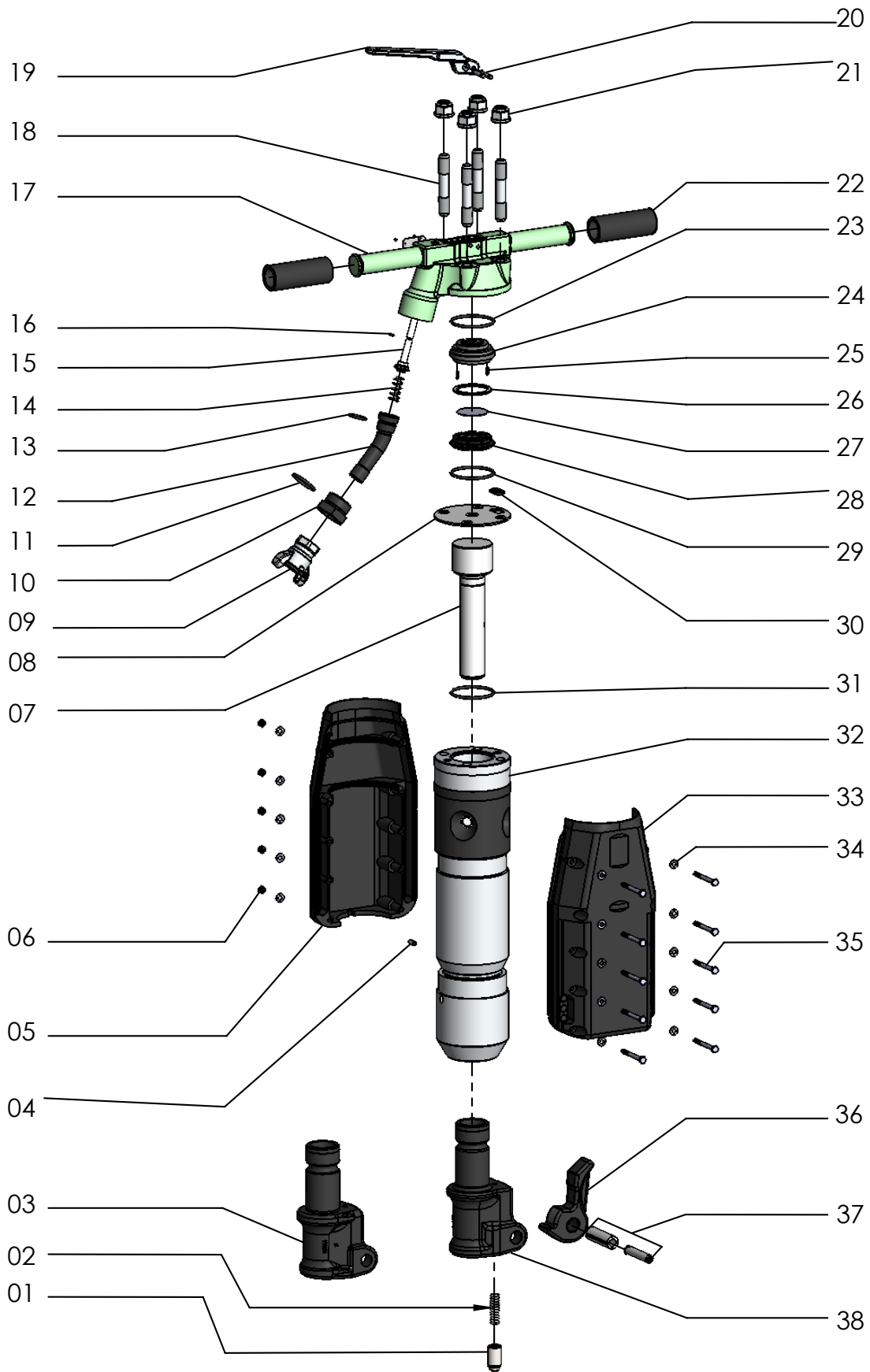
MPB-60AS 1 1/4" (68253083)
MPB-60AS 1 1/8" (68253082)



MPB-60AS 1 1/4" (68253083)
 MPB-60AS 1 1/8" (68253082)

ILLUS NO.	PART NUMBER	DESCRIPTION	QTY.
1	68722586	PLUNGER, STEEL RETAINER	1
2	68 MR 1301	SPRING, RETAINER PLUNGER	1
3	68722579	FRONTHEAD-1 1/4" [USE ON MPB-60AS 1 1/4" (68253083)]	1
4	68524129	PIN, EXHAUST DEFLECTOR	1
5	68723122	HALF MUFFLER MK MPB OPEN	1
6	68549506	NUT, EXHAUST SILENCER	10
7	68723569	PISTON, MPB-60AS	1
8	68722493	PLATE, CYLINDER END	1
9	040383	COUPLING, UNIVERSAL HOSE US	1
10	68722303	NUT, AIR INLET SWIVEL	1
11	68 CJ 0026	O-RING	1
12	68723227	SWIVEL, AIR INLET MPB-60AS	1
13	68 CJ 0825	O-RING	1
14	68 MR 1600	SPRING, THROTTLE VALVE	1
15	68722781	VALVE, THROTTLE	1
16	68 CJ 0005	O-RING	1
17	68723108	HANDLE, BARE (T)	1
18	68722027	STUD, BACKHEAD T-HANDLE	4
19	68723110	LEVER, THROTTLE	1
20	68723013	PIN, THROTTLE LEVER	2
21	68 VE 9016	NUT, BACKHEAD STUD	4
22	68723111	GRIP, RUBBER HANDLE	2
23	68522101	O-RING, VALVE CHEST	1
24	68722730	CHEST, VALVE	1
25	68 VV 8912	DOWEL, VALVE	2
26	68721513	GUIDE, VALVE	1
27	68721008	DISC, VALVE	1
28	68722574	SEAT, VALVE	1
29	68522101	O-RING, VALVE CHEST	1
30	68722536	SEAL, CYLINDER PORT	1
31	68522101	O-RING, VALVE CHEST	1
32	68723126	CYLINDER, MPB-60AS	1
33	68723121	HALF MUFFLER MK MPB CLOSED	1
34	68548106	WASHER, EXHAUST SILENCER	20
35	68530063	SCREW, EXHAUST SILENCER	10
36	68723244	LATCH, RETAINER	1
37	68780320	PIN, RETAINER KIT	1
38	68722581	FRONT HEAD- 1 1/8" [USE ON MPB-60AS 1 1/8" (68253082)]	1
	68780276	MUFFLER COMPLETE COMPRAISING ILLUS. NOS. 5,6,33,34&35	1

MPB-90AS 1 1/4" (68253081)
 MPB-90AS 1 1/8" (68253080)

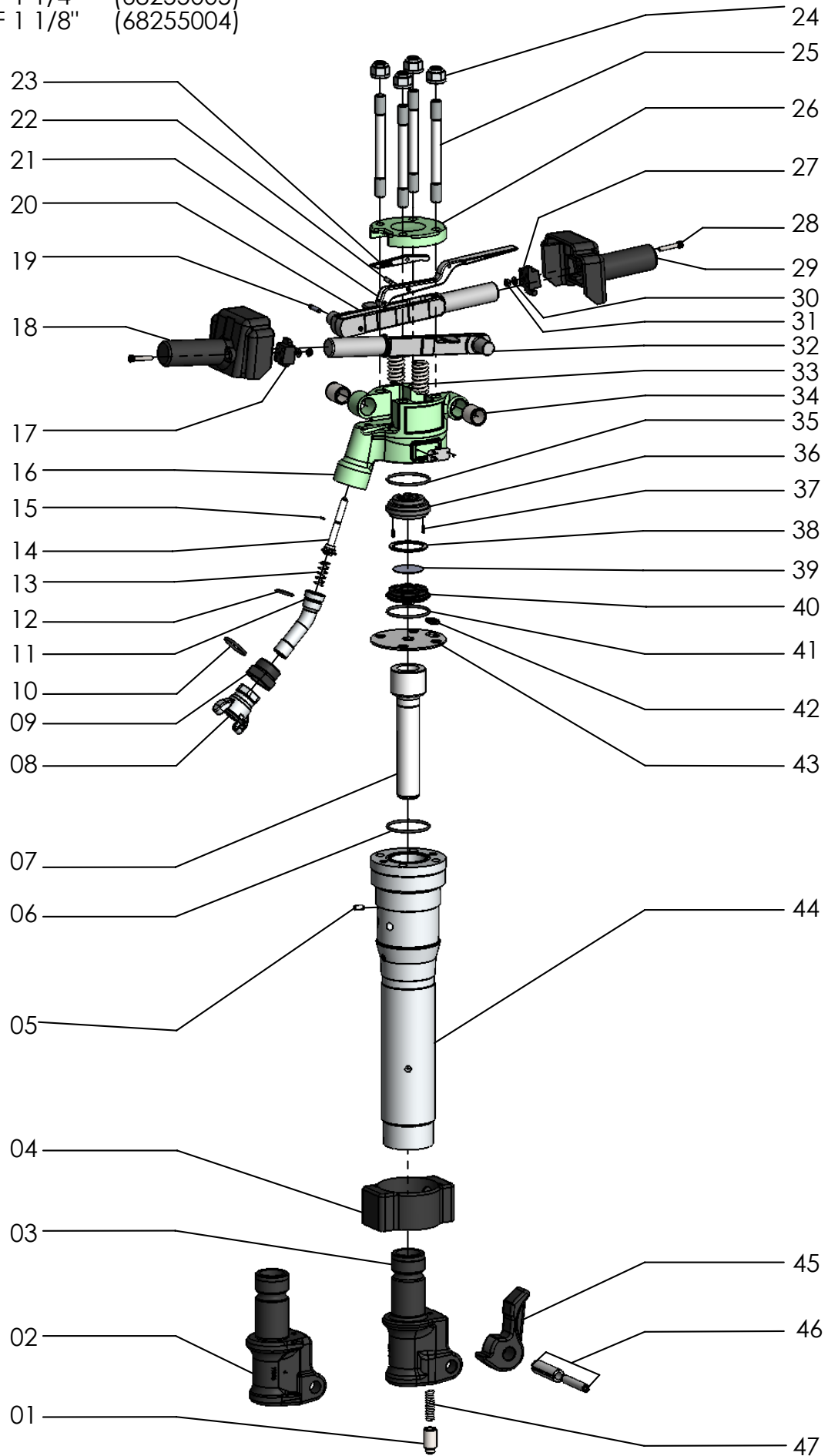


MPB-90AS 1 1/4" (68253081)

MPB-90AS 1 1/8" (68253080)

ILLUS NO.	PART NUMBER	DESCRIPTION	QTY.
1	68722586	PLUNGER, STEEL RETAINER	1
2	68 MR 1301	SPRING, RETAINER PLUNGER	1
3	68722579	FRONTHEAD-1 1/4" [USE ON MPB-90AS 1 1/4" (68253081)]	1
4	68524129	PIN, EXHAUST DEFLECTOR	1
5	68723124	HALF MPB90 OPENED MUFFLER	1
6	68549506	NUT, EXHAUST SILENCER	10
7	68722301	PISTON, MPB-90AS	1
8	68722493	PLATE, CYLINDER END	1
9	040383	COUPLING, UNIVERSAL HOSE US	1
10	68722303	NUT, AIR INLET SWIVEL	1
11	68 CJ 0026	O-RING	1
12	68723226	SWIVEL, AIR INLET MPB-90AS	1
13	68 CJ 0825	O-RING	1
14	68 MR 1600	SPRING, THROTTLE VALVE	1
15	68722781	VALVE, THROTTLE	1
16	68 CJ 0005	O-RING	1
17	68723108	HANDLE, BARE (T)	1
18	68722027	STUD, BACKHEAD T-HANDLE	4
19	68723110	LEVER, THROTTLE	1
20	68723013	PIN, THROTTLE LEVER	2
21	68 VE 9016	NUT, BACKHEAD STUD	4
22	68723111	GRIP, RUBBER HANDLE	2
23	68522101	O-RING, VALVE CHEST	1
24	68722730	CHEST, VALVE	1
25	68 VV 8912	DOWEL, VALVE	2
26	68721513	GUIDE, VALVE	1
27	68721008	DISC, VALVE	1
28	68722574	SEAT, VALVE	1
29	68522101	O-RING, VALVE CHEST	1
30	68722536	SEAL, CYLINDER PORT	1
31	68522101	O-RING, VALVE CHEST	1
32	68722316	CYLINDER, MPB-90AS	1
33	68723123	HALF MPB90 CLOSED MUFFLER	1
34	68548106	WASHER, EXHAUST SILENCER	20
35	68530063	SCREW, EXHAUST SILENCER	10
36	68723244	LATCH, RETAINER	1
37	68780320	PIN, RETAINER KIT	1
38	68722581	FRONT HEAD- 1 1/8" [USE ON MPB-90AS 1 1/8" (68253080)]	1
	68780275	MUFFLER COMPLETE COMPRISING ILLUS. NOS. 5,6,33,34&35	1

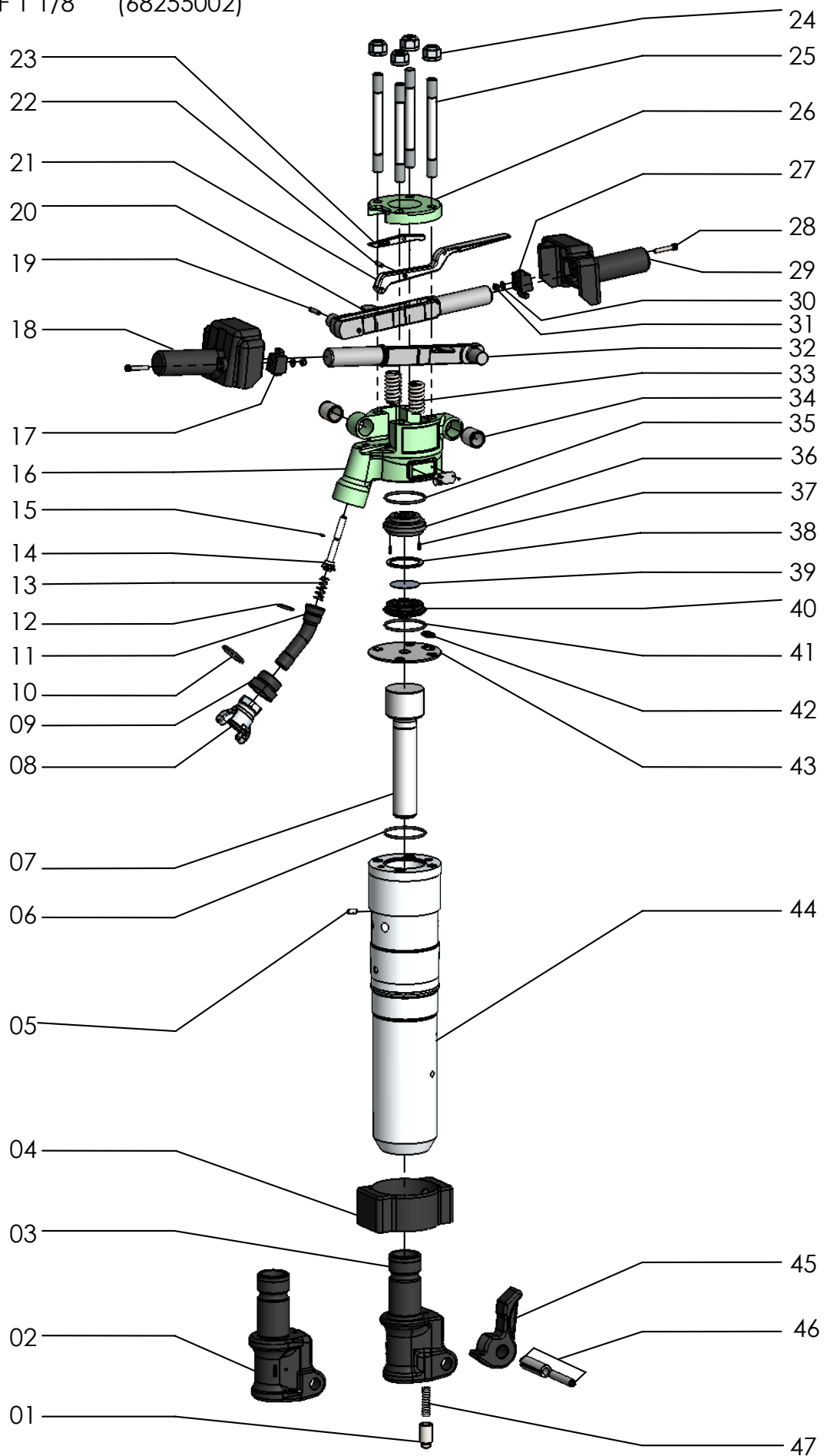
MPB-60AF 1 1/4" (68255005)
 MPB-60AF 1 1/8" (68255004)



MPB-60AF 1 1/4" (68255005)
 MPB-60AF 1 1/8" (68255004)

ILLUS NO.	PART NUMBER	DESCRIPTION	QTY.
1	68722586	PLUNGER, STEEL RETAINER	1
2	68722579	FRONTHEAD-1 1/4" [USE ON MPB-60AF 1 1/4" (68255005)]	1
3	68722581	FRONTHEAD-1 1/8" [USE ON MPB-60AF 1 1/8" (68255004)]	1
4	68722454	DEFLECTOR, EXHAUST MPB-60AF	1
5	68524129	PIN, EXHAUST DEFLECTOR	1
6	68522101	O-RING, VALVE CHEST	1
7	68723569	PISTON, MPB-60AF	1
8	040383	COUPLING, UNIVERSAL HOSE US	1
9	68722303	NUT, AIR INLET SWIVEL	1
10	68 CJ 0026	O-RING	1
11	68723227	SWIVEL, AIR INLET MPB-60AF	1
12	68 CJ 0825	O-RING	1
13	68 MR 1600	SPRING, THROTTLE VALVE	1
14	68722781	VALVE, THROTTLE	1
15	68 CJ 0005	O-RING	1
16	68723096	BACKHEAD, BARE FLEX HANDLE	1
17	68722770	CLAMP, LEFT GUARD	1
18	68722768	GUARD, LEFT HANDLE	1
19	68723013	PIN, THROTTLE LEVER	1
20	68722813	HANDLE, RIGHT FLEX	1
21	68722053	LEVER, THROTTLE FLEX HANDLE	1
22	68 MA 0625	PIN, ACTUATOR LEVER PIVOT	1
23	68721704	ACTUATOR, THROTTLE LEVER	1
24	68 VE 9016	NUT, BACKHEAD STUD	4
25	68721705	STUD, BACKHEAD FLEX HANDLE	4
26	68721703	PLATE, FLEX HANDLE COVER	1
27	68722771	CLAMP, RIGHT GUARD	1
28	68524318	SCREW	2
29	68722769	GUARD, RIGHT HANDLE	1
30	68548106	WASHER	2
31	68549506	NUT	2
32	68722814	LEFT FLEX	1
33	68721710	SPRING, THROTTLE LEVER	2
34	68721707	BUSHING, FLEX HANDLE PIVOT	2
35	68522101	O-RING, VALVE CHEST	1
36	68722730	CHEST, VALVE	1
37	68 VV 8912	DOWEL, VALVE	2
38	68721513	GUIDE, VALVE	1
39	68721008	DISC, VALVE	1
40	68722574	SEAT, VALVE	1
41	68522101	O-RING, VALVE CHEST	1
42	68722536	SEAL, CYLINDER PORT	1
43	68722493	PLATE, CYLINDER END	1
44	68722313	CYLINDER, MPB-60AF	1
45	68723244	LATCH, RETAINER	1
46	68780320	PIN, RETAINER KIT	1
47	68 MR 1301	SPRING, RETAINER PLUNGER	1

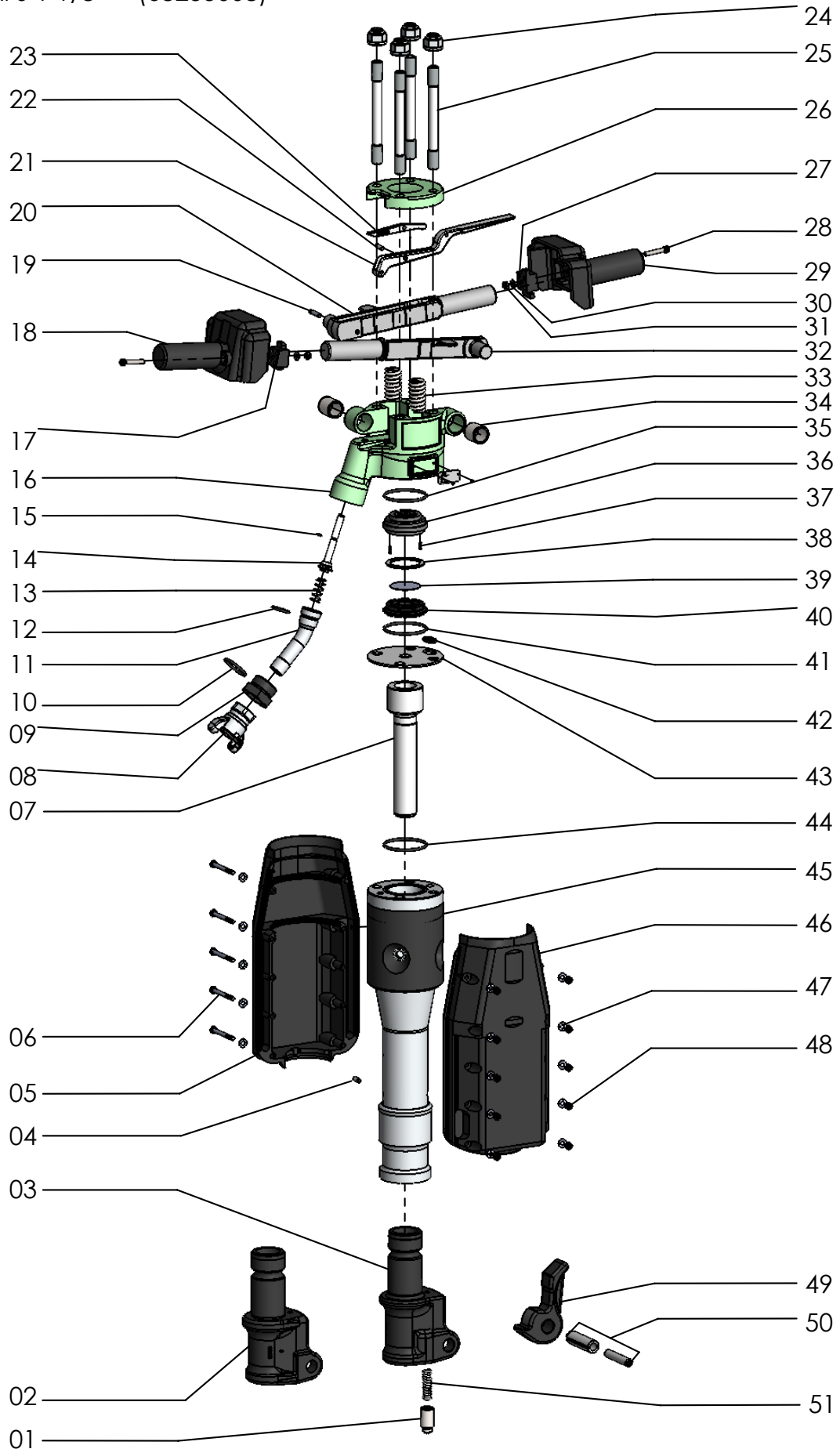
MPB-90AF 1 1/4" (68255003)
MPB-90AF 1 1/8" (68255002)



MPB-90AF 1 1/4" (68255003)
 MPB-90AF 1 1/8" (68255002)

ILLUS NO.	PART NUMBER	DESCRIPTION	QTY.
1	68722586	PLUNGER, STEEL RETAINER	1
2	68722579	FRONTHEAD-1 1/4" [USE ON MPB-90AF 1 1/4" (68255003)]	1
3	68722581	FRONTHEAD-1 1/8" [USE ON MPB-90AF 1 1/8" (68255002)]	1
4	68722455	DEFLECTOR, EXHAUST MPB-90AF	1
5	68524129	PIN, EXHAUST DEFLECTOR	1
6	68522101	O-RING, VALVE CHEST	1
7	68722301	PISTON, MPB-90AF	1
8	040383	COUPLING, UNIVERSAL HOSE US	1
9	68722303	NUT, AIR INLET SWIVEL	1
10	68 CJ 0026	O-RING	1
11	68723226	SWIVEL, AIR INLET MPB-90AF	1
12	68 CJ 0825	O-RING	1
13	68 MR 1600	SPRING, THROTTLE VALVE	1
14	68722781	VALVE, THROTTLE	1
15	68 CJ 0005	O-RING	1
16	68723096	BACKHEAD, BARE FLEX HANDLE	1
17	68722770	CLAMP, LEFT GUARD	1
18	68722768	GUARD, LEFT HANDLE	1
19	68723013	PIN, THROTTLE LEVER	1
20	68722813	HANDLE, RIGHT FLEX	1
21	68722053	LEVER, THROTTLE FLEX HANDLE	1
22	68 MA 0625	PIN, ACTUATOR LEVER PIVOT	1
23	68721704	ACTUATOR, THROTTLE LEVER	1
24	68 VE 9016	NUT, BACKHEAD STUD	4
25	68721705	STUD, BACKHEAD FLEX HANDLE	4
26	68721703	PLATE, FLEX HANDLE COVER	1
27	68722771	CLAMP, RIGHT GUARD	1
28	68524318	SCREW	2
29	68722769	GUARD, RIGHT HANDLE	1
30	68548106	WASHER	2
31	68549506	NUT	2
32	68722814	LEFT FLEX	1
33	68721710	SPRING, THROTTLE LEVER	2
34	68721707	BUSHING, FLEX HANDLE PIVOT	2
35	68522101	O-RING, VALVE CHEST	1
36	68722730	CHEST, VALVE	1
37	68 VV 8912	DOWEL, VALVE	2
38	68721513	GUIDE, VALVE	1
39	68721008	DISC, VALVE	1
40	68722574	SEAT, VALVE	1
41	68522101	O-RING, VALVE CHEST	1
42	68722536	SEAL, CYLINDER PORT	1
43	68722493	PLATE, CYLINDER END	1
44	68722300	CYLINDER, MPB-90AF	1
45	68723244	LATCH, RETAINER	1
46	68780320	PIN, RETAINER KIT	1
47	68 MR 1301	SPRING, RETAINER PLUNGER	1

MPB-60AFS 1 1/4" (68255009)
MPB-60AFS 1 1/8" (68255008)

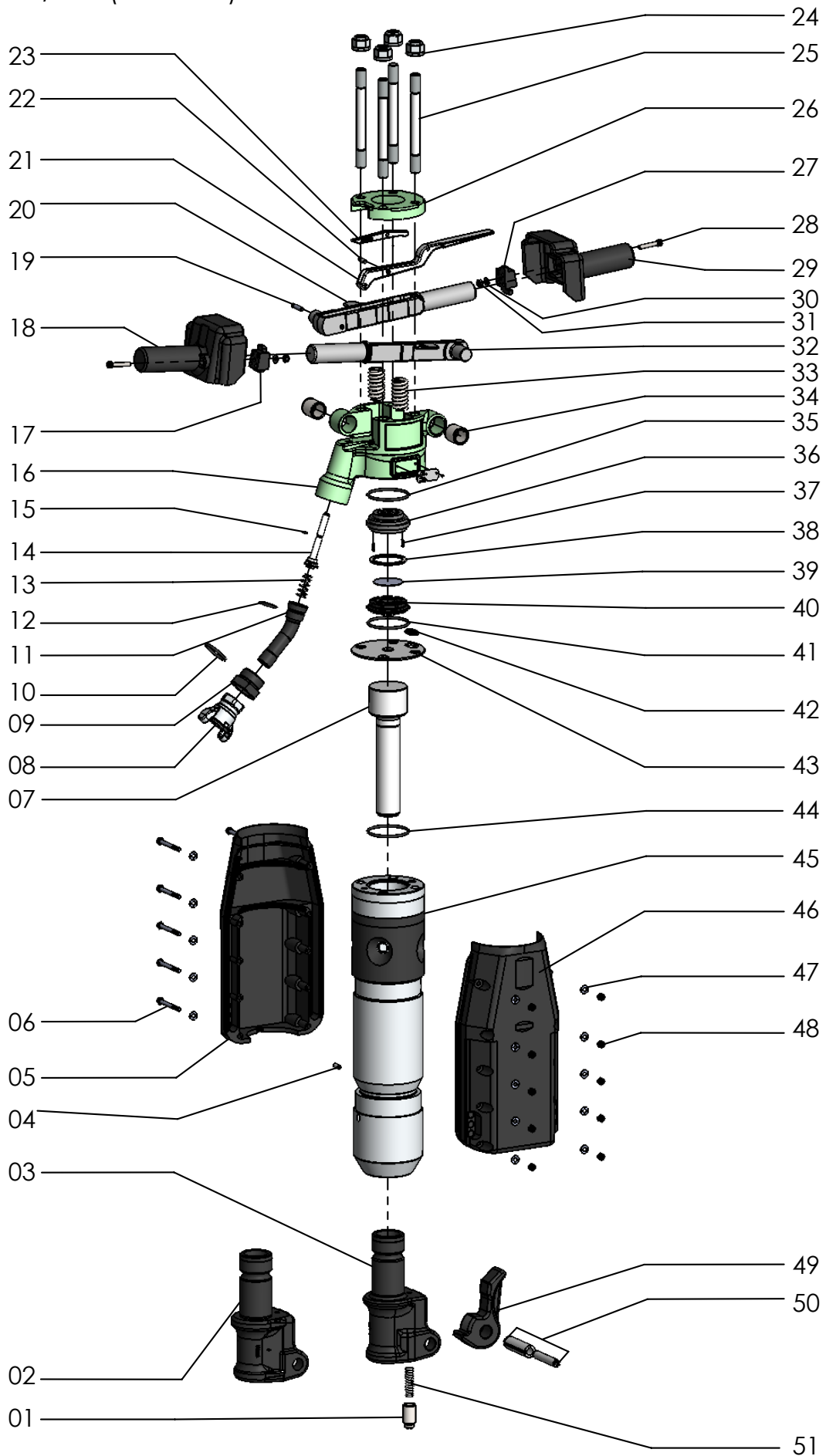


MPB-60AFS 1 1/4" (68255009)

MPB-60AFS 1 1/8" (68255008)

ILLUS NO.	PART NUMBER	DESCRIPTION	QTY.
1	68722586	PLUNGER, STEEL RETAINER	1
2	68722579	FRONTHEAD-1 1/4" [USE ON MPB-60AFS 1 1/4" (68255009)]	1
3	68722581	FRONTHEAD-1 1/8" [USE ON MPB-60AFS 1 1/8" (68255008)]	1
4	68524129	PIN, EXHAUST DEFLECTOR	1
5	68723122	HALF MUFFLER MK MPB OPEN	1
6	68530063	SCREW, EXHAUST SILENCER	10
7	68723569	PISTON, MPB-60AFS	1
8	040383	COUPLING, UNIVERSAL HOSE US	1
9	68722303	NUT, AIR INLET SWIVEL	1
10	68 CJ 0026	O-RING	1
11	68723227	SWIVEL, AIR INLET MPB-60AFS	1
12	68 CJ 0825	O-RING	1
13	68 MR 1600	SPRING, THROTTLE VALVE	1
14	68722781	VALVE, THROTTLE	1
15	68 CJ 0005	O-RING	1
16	68723096	BACKHEAD, BARE FLEX HANDLE	1
17	68722770	CLAMP, LEFT GUARD	1
18	68722768	GUARD, LEFT HANDLE	1
19	68723013	PIN, THROTTLE LEVER	1
20	68722813	HANDLE, RIGHT FLEX	1
21	68722053	LEVER, THROTTLE FLEX HANDLE	1
22	68 MA 0625	PIN, ACTUATOR LEVER PIVOT	1
23	68721704	ACTUATOR, THROTTLE LEVER	1
24	68 VE 9016	NUT, BACKHEAD STUD	4
25	68721705	STUD, BACKHEAD FLEX HANDLE	4
26	68721703	PLATE, FLEX HANDLE COVER	1
27	68722771	CLAMP, RIGHT GUARD	1
28	68524318	SCREW	2
29	68722769	GUARD, RIGHT HANDLE	1
30	68548106	WASHER	2
31	68549506	NUT	2
32	68722814	LEFT FLEX	1
33	68721710	SPRING, THROTTLE LEVER	2
34	68721707	BUSHING, FLEX HANDLE PIVOT	2
35	68522101	O-RING, VALVE CHEST	1
36	68722730	CHEST, VALVE	1
37	68 VV 8912	DOWEL, VALVE	2
38	68721513	GUIDE, VALVE	1
39	68721008	DISC, VALVE	1
40	68722574	SEAT, VALVE	1
41	68522101	O-RING, VALVE CHEST	1
42	68722536	SEAL, CYLINDER PORT	1
43	68722493	PLATE, CYLINDER END	1
44	68522101	O-RING, VALVE CHEST	1
45	68723126	CYLINDER, MPB-60AFS	1
46	68723121	HALF MUFFLER MK MPB CLOSED	1
47	68548106	WASHER, EXHAUST SILENCER	20
48	68549506	NUT, EXHAUST SILENCER	10
49	68723244	LATCH, RETAINER	1
50	68780320	PIN, RETAINER KIT	1
51	68 MR 1301	SPRING, RETAINER PLUNGER	1
	68780276	MUFFLER COMPLETE COMPRISING ILLUS. NOS. 5,6,46,47&48	1

MPB-90AFS 1 1/4" (68255007)
 MPB-90AFS 1 1/8" (68255006)



MPB-90AFS 1 1/4" (68255007)
 MPB-90AFS 1 1/8" (68255006)

ILLUS NO.	PART NUMBER	DESCRIPTION	QTY.
1	68722586	PLUNGER, STEEL RETAINER	1
2	68722579	FRONTHEAD-1 1/4" [USE ON MPB-90AFS 1 1/4" (68255007)]	1
3	68722581	FRONTHEAD-1 1/8" [USE ON MPB-90AFS 1 1/8" (68255006)]	1
4	68524129	PIN, EXHAUST DEFLECTOR	1
5	68723124	HALF MPB90 OPENED MUFFLER	1
6	68530063	SCREW, EXHAUST SILENCER	10
7	68722301	PISTON, MPB-90AFS	1
8	040383	COUPLING, UNIVERSAL HOSE US	1
9	68722303	NUT, AIR INLET SWIVEL	1
10	68 CJ 0026	O-RING	1
11	68723226	SWIVEL, AIR INLET MPB-90AFS	1
12	68 CJ 0825	O-RING	1
13	68 MR 1600	SPRING, THROTTLE VALVE	1
14	68722781	VALVE, THROTTLE	1
15	68 CJ 0005	O-RING	1
16	68723096	BACKHEAD, BARE FLEX HANDLE	1
17	68722770	CLAMP, LEFT GUARD	1
18	68722768	GUARD, LEFT HANDLE	1
19	68723013	PIN, THROTTLE LEVER	1
20	68722813	HANDLE, RIGHT FLEX	1
21	68722053	LEVER, THROTTLE FLEX HANDLE	1
22	68 MA 0625	PIN, ACTUATOR LEVER PIVOT	1
23	68721704	ACTUATOR, THROTTLE LEVER	1
24	68 VE 9016	NUT, BACKHEAD STUD	4
25	68721705	STUD, BACKHEAD FLEX HANDLE	4
26	68721703	PLATE, FLEX HANDLE COVER	1
27	68722771	CLAMP, RIGHT GUARD	1
28	68524318	SCREW	2
29	68722769	GUARD, RIGHT HANDLE	1
30	68548106	WASHER	2
31	68549506	NUT	2
32	68722814	LEFT FLEX	1
33	68721710	SPRING, THROTTLE LEVER	2
34	68721707	BUSHING, FLEX HANDLE PIVOT	2
35	68522101	O-RING, VALVE CHEST	1
36	68722730	CHEST, VALVE	1
37	68 VV 8912	DOWEL, VALVE	2
38	68721513	GUIDE, VALVE	1
39	68721008	DISC, VALVE	1
40	68722574	SEAT, VALVE	1
41	68522101	O-RING, VALVE CHEST	1
42	68722536	SEAL, CYLINDER PORT	1
43	68722493	PLATE, CYLINDER END	1
44	68522101	O-RING, VALVE CHEST	1
45	68722316	CYLINDER, MPB-90AFS	1
46	68723123	HALF MPB90 CLOSED MUFFLER	1
47	68548106	WASHER, EXHAUST SILENCER	20
48	68549506	NUT, EXHAUST SILENCER	10
49	68723244	LATCH, RETAINER	1
50	68780320	PIN, RETAINER KIT	1
51	68 MR 1301	SPRING, RETAINER PLUNGER	1
	68780275	MUFFLER COMPLETE COMPRISING ILLUS. NOS. 5,6,46,47&48	1

**Warranty Policy
Tools**

WARRANTY PERIOD COMMENCES AT START-UP, INVOICE DATE, OR BEGINS THIRTY (30) DAYS AFTER DATE OF SHIPMENT FROM FACTORY, BUT NOT LATER THAN 12 MONTHS FROM DATE OF SHIPMENT FROM FACTORY.

A Sullair Air Tool, if used in accordance with manufacturer's instructions, is warranted against defects in materials and workmanship. M Series tools are also warranted against loss of performance due to wear. This warranty does not apply to any tool damaged by accident, misuse or negligence. The warranty shall continue for the periods of time as set forth below.

PRODUCT	WARRANTY PERIOD
MPB Series Paving Breakers	2 YEARS
MCD-30 Clay Digger, MDT-22 Demolition Tool	2 YEARS
MDT-30 Demolition Tool	1 YEARS
MBT-6 Tamper	1 YEAR
MCH Series Chipping Hammer:	
-Handle and Cylinder	2 YEARS
-Internal Parts, Excluding Retainer and Retainer Spring	1 YEAR
MRD Series Rock Drills and Utility Drill	1 YEAR
MRD-55 Heavy Duty Rock Drill	90 Days
MCV Series	6 Months
All Tools other than M Series	90 days

The warranty extends only to the Sullair Air Tool and is limited to the repair or replacement, as Sullair may elect, of any defective parts. Installation and transportation costs are not included. Sullair Corporation shall have the option of requiring the return to it of the defective tool or part transportation prepaid, for inspection.

THIS STATEMENT OF WARRANTY IS EXPRESSLY IN LIEU OF AND DISCLAIMS ALL OTHER EXPRESS WARRANTIES, IMPLIED WARRANTIES OF MERCHANTABILITY OR FITNESS FOR A PARTICULAR PURPOSE, AND ALL OTHER IMPLIED WARRANTIES. THERE ARE NO WARRANTIES WHICH EXTEND BEYOND THE DESCRIPTION ON THE FACE HEREOF. THIS WARRANTY DOES NOT INCLUDE LIABILITY FOR INCIDENTAL OR CONSEQUENTIAL DAMAGES.

All claims under this warranty should be made by contacting your local Sullair Representative.

 **SULLAIR CORPORATION**
MICHIGAN CITY, INDIANA 46360 U.S.A.



© Copyright 2015 Sullair. All rights reserved.
The color green is a registered trademark of Sullair.
Specifications subject to change without notice.