



# OPERATIONS - PARTS MANUAL

## Mortar Mixer



**AMM6H8 AMM8PH8 AMM9H8  
AMMS9H8 AMM12H13**

**allen**  
**ENGINEERING**  
CORPORATION  
819 South 5th Street  
Paragould, AR 72450

***For your own safety and protection from personal injury, carefully read, understand, and observe the safety instructions described in this manual.  
Keep this manual or a copy of it with the machine at all times.***

# Mortar Mixer

## OPERATIONS - PARTS

## MANUAL

This manual covers the products listed below:

<u>Part No.</u>	<u>Description</u>
061730	MIXER, MORTAR, 6CF, 8HP, 2IN BALL (AMM6H8)
064920	MIXER, MORTAR 8CF POLY DRUM 8.0 HP (AMM8PH8)
061740	MIXER, MORTAR, 9CF, 8HP, 2IN BALL (AMM9H8)
064930	MIXER, MORTAR SB STL DRM 9CF 8.0HP (AMMS9H8)
064935	MIXER, MORTAR 12CF SD 6:1 GB 13HP (AMM12H13)

Copyright © 2016 Allen Engineering Corporation  
All rights reserved

All information, specifications, and illustrations in this manual are subject to change without notice and are based on the latest information at the time of publication. No part of this manual may be reproduced or transmitted in any form or by any means, electronic or mechanical, for any purpose, without the express written permission of Allen Engineering Corporation (AEC). AEC assumes no responsibility or liability for any errors or inaccuracies that may appear in this manual.

Allen Products are covered under one or more of the following patent numbers:

**U.S. Design Patents:** 344,736; 400,542; 400,544; 402,998; 402,999; 403,332; 404,041; 404,042; 410,931; 413,127; 416,564; 465,897; 466,909; 474,203.

**U.S. Utility Patents:** 5,108,220; 5,238,323; 5,328,295; 5,352,063; 5,405,216; 5,476,342; 5,480,257; 5,480,258; 5,533,831; 5,562,361; 5,567,075; 5,613,801; 5,658,089; 5,685,667; 5,803,658; 5,816,739; 5,816,740; 5,890,833; 5,934,823; 5,967,696; 5,988,938; 5,988,939; 6,019,433; 6,019,545; 6,048,130; 6,053,660; 6,089,786; 6,106,193; 6,857,815; 5,288,166; 6,582,153 B1, 7,108,449; 7,114,876; 7,316,523; 7,690,864 B2

**Canadian Patents:** 2,039,893.

First Issue: October 2014

Amended: May 2015

Amended: Aug 2016

Printed in U.S.A.

# Limited Warranty

Allen Engineering Corporation ("Allen") warrants its products to be free of defects in material or workmanship for:

## **TWO YEARS FROM END USER'S DATE OF PURCHASE**

Warranty period begins on the date of purchase by the End User of the product. All warranty is based on the following limited warranty terms and conditions, including the disclaimer of implied warranties and consequential damages.

1. Allen's obligation and liability under this warranty is limited to repairing or replacing parts if, after Allen's inspection, there is determined to be a defect in material or workmanship. Allen reserves the choice to repair or replace.
2. If Allen chooses to replace the part, it will be at no cost to the customer and will be made available to the Allen Distributor, Dealer, or Rental Center from whom the End User purchased the product.
3. Replacement or repair parts, installed in the product, are warranted only for the remainder of warranty period of the product as though they were the original parts.
4. Allen does not warranty engines or batteries. Engine warranty claims should be made directly to an authorized factory service center for the particular engine manufacturer. Batteries are not warranted due to unknown treatment during transport, etc, and any battery claims should be directed to the battery manufacturer.
5. Allen's warranty does not cover the normal maintenance of products or its components (such as engine tuneups and oil & filter changes). The warranty also does not cover normal wear and tear items (such as belts and consumables).
6. Allen's warranty will be void if it is determined that the defect resulted from operator abuse, failure to perform normal maintenance on the product, modification to product, alterations or repairs made to the product without the written approval of Allen. Allen specifically excludes from warranty any damage to any trowels resulting from an impact to the rotors.
7. Impact damage to gear boxes is not covered under the Allen warranty and is deemed customer abuse.
8. Allen will pay shop labor on warranty items at the Allen Shop Labor Rate in existence on the date of the warranty claim. An Allen labor chart will determine the time allowed to complete a repair and will govern the shop labor hours that will be allowed.
9. Allen will pay freight on warranty replacement parts at worldwide standard ground rates. No warranty replacement parts will be shipped air freight at the expense of Allen. Allen only pays outbound freight charges when sending warranty replacement parts to the customer via ground service. Allen does not pay any inbound freight. However, if Allen determines this to be a warranted item, only then will Allen reimburse the customer for inbound freight at standard ground rates.
10. ALLEN ENGINEERING CORPORATION'S WARRANTY POLICY WILL NOT COVER THE FOLLOWING: TAXES; SHOP SUPPLIES; ENVIRONMENTAL SURCHARGES; AIR FREIGHT; TRAVEL TIME; LOSS OF TIME; INCONVENIENCE; LOSS OF RENTAL REVENUE; RENTAL COSTS OF EQUIPMENT USED TO REPLACE THE PRODUCT BEING REPAIRED; LOSS OF USE OF THE PRODUCT; COMMERCIAL LOSS; OR ANY OTHER CHARGES WHATSOEVER OR ANY LIABILITIES FOR DIRECT, INCIDENTAL, OR CONSEQUENTIAL DAMAGE OR DELAY.
11. ALLEN ENGINEERING CORPORATION MAKES NO OTHER WARRANTY, EXPRESSED OR IMPLIED. THIS LIMITED WARRANTY IS IN LIEU OF THE WARRANTY OF MERCHANTABILITY AND FITNESS. THERE ARE NO OTHER WARRANTIES THAT EXTEND BEYOND THE DESCRIPTION ON THIS DOCUMENT.
12. No Allen employee or representative is authorized to change this warranty in any way or grant any other warranty unless such change is made in writing and signed by an officer of Allen Engineering Corporation.

# Table of Contents

<b>Title</b>	<b>Page</b>
Limited Warranty	4
Table of Contents	5
Information Contained In This Manual	7
Dealer Information	8
Ordering Parts	9
Model Number - Serial Number Codes	10
Unit Identification	11
Technical specifications	12
Engine Specifications	14
Assembly Instructions	15
<b>Section 1 - Safety</b>	
State Regulations	16
Federal Regulations	17
Safety Information	18
Safety Symbols and Decals	19
<b>Section 2 - Operations</b>	
Before Operating	22
Operating	23
<b>Section 3 - Service</b>	
Maintenance	24
Schedule	25

## Table of Contents - Continued

Title	Page
<b>Parts</b> Machine Assembly	26

### **VISION**

To be the premier, global provider of concrete and related equipment solutions for professional contractors.

### **MISSION**

We provide innovative concrete and related equipment that solves professional contractor's major quality and productivity issues on their jobsites.

### **CORE VALUES**

1. Safety: Priority One.
2. People: Our most valuable asset.
3. Quality: Our most important attribute.
4. Innovation: Our focus with our products and processes.
5. Teamwork: The way we work and think.
6. Customer/Contractor Focused: Our key driver.
7. Honestly: The only way we do business

# Information Contained in this Manual



This manual provides information and procedures to safely operate and maintain the Allen Machine.

For your own safety and protection from personal injury, carefully read, understand, and observe the safety instructions described in this manual. Keep this manual or a copy of it with the machine at all times.

Always operate this machine in accordance with the instructions described in this manual. A well maintained piece of equipment will provide many years of trouble free operation.

This manual is divided into the following sections:

**SECTION 1  
SAFETY**

**SECTION 2  
OPERATIONS**

**SECTION 3  
SERVICE**

**SECTION 4  
PARTS**

Complete any warranty requirements as specified by the engine manufacturer in their instructions found inside the manual box located on the operator's control panel.

Your engine is not manufactured by Allen Engineering Corporation, Inc, and therefore is not covered under Allen Engineering Corporation, Inc warranty.

Your engine manufacturer should be contacted if you wish to purchase a parts manual or a repair manual for your engine.

Refer to enclosed owners engine manual for complete O&M instructions. See your battery manufacturer for battery warranty.

## Dealer Information

Your Dealer has Allen Engineering Corporation trained mechanics and original Allen replacement parts. Always contact the Allen Dealer who sold you this machine for Allen Certified repairs and replacement parts.

Place Allen Dealer information below for future reference.

Dealer Name: _____		
Phone #: (____) - ____ - _____		
Address: _____		
City: _____	State: _____	Zip: _____
Salesman: _____	Mobile Phone _____	
Additional Comments: _____		
_____		
_____		





# Ordering Parts

Section 4 contains illustrated parts lists for help in ordering replacement parts for your machine. Follow the instructions below when ordering parts to insure prompt and accurate delivery:

1. All orders for service parts - include the serial number for the machine. Shipment will be delayed if this information is not available.
2. Include correct description and part number from the "PARTS" section of this manual.
3. Specify exact shipping instructions, including the preferred routing and complete destination address.
4. DO NOT return parts to AEC without receiving written authorization from AEC. All authorized returns must be shipped pre-paid.
5. When placing an order, please contact the AEC dealer nearest you.

## **NOTE**

*All information, specifications, and illustrations in this manual are subject to change without notice and are based on the latest information at the time of publication.*

VISIT US!!!



[www.alleneng.com](http://www.alleneng.com)

LIKE US!!!



[www.facebook.com/AllenEngineering](http://www.facebook.com/AllenEngineering)

FOLLOW US!!!



[@alleneng](https://twitter.com/alleneng)

WATCH US!!!



[www.youtube.com/AllenMachinery](http://www.youtube.com/AllenMachinery)

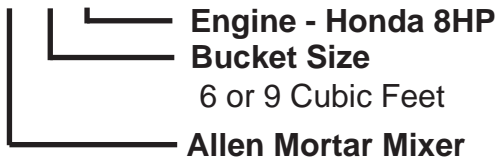
# Model Number - Serial Number Codes

## Manufacturer's Codes:

When ordering parts or requesting service information, you will always be asked to specify the model and serial numbers of the machine. The legends below specifically defines each significant character or group of characters of the Model Number and Serial Number codes.

### Model Number

AMM 9 H8



### Serial Number

The serial number found on the identification plate is a seventeen digit format. The model number identifies your machine and will ensure that you receive the correct replacement parts.

### Serial Number Example

3A9S28M10E1168087

# Unit Identification

The serial number plate is located on the front bucket post.

Please record the information found on this plate below so it will be available should the identification plate become lost or damaged. When ordering parts or requesting service information, you will always be asked to specify the model and serial numbers of the machine.

## FILL IN FOR FUTURE REFERENCE

Model Number: \_\_\_\_\_

Serial Number: \_\_\_\_\_

Date Purchased: \_\_\_\_\_

Purchased From: \_\_\_\_\_

Serial Number Plate



# Technical Specifications

## Machine Features:

Heavy Duty 3/16" Steel Drum

Single Piece 1-3/4" Central Shaft for Added Durability

Cast Iron Trunion With Triple Sealed Bearings

Quick Access Front Disengage

Removable Tongue Available with 2" Ball or Pintle Hitch

Solid T-Frame Construction and Reinforced Leg

High Speed Hubs with Greasable Bearings

Heavy Duty Steel Hood Latch

Reliable Honda Power

Heavy Duty Hinged Hood with Rugged 14 Gauge Engine Shroud

Heavy Duty Safety Grate with Built in Bag Splitter

Additional Paddle for Engineering Mix

Durable Cast Iron Pillow Block

## Technical Specifications (cont'd)

MODEL	AMM6H8	AMM8PH8	AMM9H8	AMM12H13
<b>Batch Capacity bags</b>	2 - 2½ bags	2½ - 3 bags	3 - 3½ bags	3½ - 4 Bags
<b>Capacity cu.ft. (Its)</b>	6 cu.ft (170)	8 cu.ft (230)	9.5 cu.ft (270)	12 cu.ft (340)
<b>Engine Power</b>	Honda 8 HP	Honda 8 HP	Honda 8 HP	Honda 13 HP
<b>Drive System</b>	V-Belt to Gears	V-Belt to Gears	V-Belt to Gears	Double Transmission V-Belt to Gears
<b>Wheels Size</b>	13 x 6.5	13 x 6.5	13 x 6.5	13 x 6.5
	High - Speed	High - Speed	High - Speed	High - Speed
<b>Overall Width in (cm)</b>	45" (114)	51" (129)	51" (129)	51" (129)
<b>Tow Pole in Length in (cm)</b>	76" (147)	76" (147)	76" (147)	87" (220)
<b>Overall Height in (cm)</b>	55" (140)	58" (147)	60" (152)	58" (147)
<b>Operating Weight lbs. (Kg)</b>	683 lbs. (309)	772 lbs. (350)	816 lbs. (370)	980 lbs. (444)
<b>Drum Wrap</b>	1/8" Wrap	1/8" Wrap	3/16" Wrap & Ends	3/16" Wrap
<b>Drum End Plates</b>	3/16" Ends	3/16" Ends		1/4" Ends
<b>Drum Thickness upgrade available up to</b>	1/4" Whole Wrap	1/4" Whole Wrap	1/4" Whole Wrap	1/4" Whole Wrap
<b>Spiral Blade</b>	Optional	Optional	Optional	Optional



# Engine Specifications

## Honda

<b>GX240</b>	
<b>Engine Type</b>	Air-cooled 4-stroke OHV
<b>Bore x Stroke</b>	73 X 58 mm
<b>Displacement</b>	270 cm <sup>3</sup>
<b>Net Power Output*</b>	7.9 HP (5.9 kW) @ 3,600 rpm
<b>Net Torque</b>	13.5 lb-ft (18.3 Nm) @ 2,500 rpm
<b>PTO Shaft Rotation</b>	Counterclockwise (from PTO shaft side)
<b>Compression Ratio</b>	8.5:1
<b>Lamp/Charge coil options</b>	25W, 50W / 1A, 3A, 10A, 18A
<b>Carburetor</b>	Butterfly Float Type
<b>Ignition System</b>	Digital CDI with variable ignition timing
<b>Starting System</b>	Recoil/electric
<b>Lubrication System</b>	Splash
<b>Governor System</b>	Centrifugal Mass Type
<b>Air cleaner</b>	Dual element
<b>Oil Capacity</b>	1.16 US qt (1.1 L)
<b>Fuel Tank Capacity</b>	5.6 U.S. qts (5.3 liters)
<b>Fuel</b>	Unleaded 86 octane or higher
<b>Dry Weight</b>	55.1 to 66.1 lb (25 to 30 kg)

<b>GX390</b>	
<b>Engine Type</b>	Air-cooled 4-stroke OHV
<b>Bore x Stroke</b>	88 X 64 mm
<b>Displacement</b>	389 cm <sup>3</sup>
<b>Net Power Output*</b>	11.7 HP (8.7 kW) @ 3,600 rpm
<b>Net Torque</b>	19.5 lb-ft (26.4 Nm) @ 2,500 rpm
<b>PTO Shaft Rotation</b>	Counterclockwise (from PTO shaft side)
<b>Compression Ratio</b>	8.2:1
<b>Lamp/Charge coil options</b>	25W, 50W / 1A, 3A, 10A, 18A
<b>Carburetor</b>	Butterfly Float Type
<b>Ignition System</b>	Digital CDI with variable timing
<b>Starting System</b>	Recoil/electric
<b>Lubrication System</b>	Splash
<b>Governor System</b>	Centrifugal Mass Type
<b>Air cleaner</b>	Dual element
<b>Oil Capacity</b>	1.16 US qt (1.1 L)
<b>Fuel Tank Capacity</b>	6.4 U.S. qts (6.1 liters)
<b>Fuel</b>	Unleaded 86 octane or higher
<b>Dry Weight</b>	69 lb (31.5 kg)

# Assembly Instructions

1. Remove the mixer and all components from its shipping crate. You will see:
  - Two rim and tire assemblies.
  - Axle assembly with hubs on each side, idler spring, and 8 lug nuts.
  - Selected hitch with lock pin and bolt and safety bolt with hair pin.

## NOTICE

**Note: All installation hardware must be inserted into its respective location on the mixer, see parts explosion for more details.**

2. After removing all mixers' safety packing, while standing on an end, locate the axle's place on the mixer. You need to locate the bolts attached to the mixer shroud, bolted to the pallet and make sure this bolts are removed.
3. Lift the axle up to the mixer frame and position it with the bracket spring lined up to the idler clutch hole on the mixer's frame.
4. Insert two 1/2 inch bolts with a washer through the frame and the vertical mounting bracket on the axle. Secure each bolt with a washer and locknut. Tight the bolts at 57 ft.-lbs.
5. Remove the lug nuts from the axle and mount the speed wheel, after wheel is mounted proceed to place the lug nuts (make sure the conical (tapered) end is facing the inside of the wheel. Torque to 105 ft.-lbs.
6. Proceed with the second wheel using the steps of point #3.
7. Hook one end of the spring to the idler arm. Hook the other end of the spring to the spring plate on the axle. The spring should be hooked through the second hole from the top toward the middle of the mixer.
8. Using appropriated Equipment, put the mixer down to the ground.



**Warning: failure to use proper lifting equipment could cause mixer to fall and cause serious injury.**

9. Position the safety chain through the key slots in the front leg. Adjust the chain's ends to equal length.
10. Remove the safety bolt and pin from the tow bar.
11. Install the tow bar through the front leg.
12. Insert the pin through the front leg and the front hole in the tow bar. Secure the pin with a hair pin cotter.
13. Insert the 3/4" bolt through the rear hole and secure with a lock washer and nut. Tighten securely.



## WARNING



### **CALIFORNIA — Proposition 65 Warning**

Engine exhaust and some of its constituents, and some dust created by power sanding, sawing, grinding, drilling and other construction activities contains chemicals known to the State of California to cause cancer, birth defects and other reproductive harm. Some examples of these chemicals are:

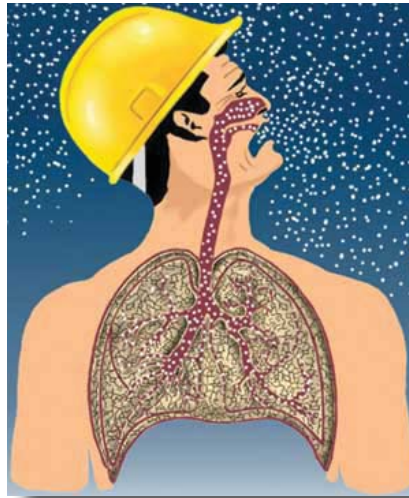
- Lead from lead-based paints.
- Crystalline silica from bricks.
- Cement and other masonry products.
- Arsenic and chromium from chemically treated lumber.

Your risk from these exposures varies, depending on how often you do this type of work. To reduce your exposure to these chemicals: **ALWAYS** work in a well ventilated area, and work with approved safety equipment, such as dust masks that are specially designed to filter out microscopic particles.



# Federal Regulations Respiratory Hazards

## SECTION 1 SAFETY



### **⚠️ WARNING**

#### **RESPIRATORY HAZARDS**

Grinding/cutting/drilling of masonry, concrete, metal and other materials can generate dust, mists and fumes containing chemicals known to cause serious or fatal injury or illness, such as respiratory disease, cancer, birth defects or other reproductive harm. If you are unfamiliar with the risks associated with the particular process and/or material being cut or the composition of the tool being used, review the material safety data sheet and/or consult your employer, the material manufacturer/supplier, governmental agencies such as OSHA and NIOSH and other sources on hazardous materials. California and some other authorities, for instance, have published lists of substances known to cause cancer, reproductive toxicity, or other harmful effects.

Control dust, mist and fumes at the source where possible. In this regard use good work practices and follow the recommendations of the manufacturers or suppliers, OSHA/NIOSH, and occupational and trade associations. Water should be used for dust suppression when wet cutting is feasible. When the hazards from inhalation of dust, mists and fumes cannot be eliminated, the operator and any bystanders should always wear a respirator approved by NIOSH/MSHA for the materials being used.

### **⚠️ WARNING**

#### **SILICOSIS WARNING**

Grinding/cutting/drilling of masonry, concrete, metal and other materials with silica in their composition may give off dust or mists containing crystalline silica. Silica is a basic component of sand, quartz, brick clay, granite and numerous other minerals and rocks. Repeated and/or substantial inhalation of airborne crystalline silica can cause serious or fatal respiratory diseases, including silicosis. In addition, California and some other authorities have listed respirable crystalline silica as a substance known to cause cancer. When cutting such materials, always follow the respiratory precautions mentioned above.

**READ AND STUDY THE FOLLOWING SAFETY INFORMATION BEFORE ATTEMPTING TO OPERATE THIS EQUIPMENT. IN ADDITION, ENSURE THAT EVERY INDIVIDUAL WHO OPERATES OR WORKS WITH THIS EQUIPMENT IS FAMILIAR WITH THESE SAFETY PRECAUTIONS.**

**WARNING - LETHAL EXHAUST FUMES!**

An internal combustion engine discharges carbon monoxide, which is a poisonous and odorless invisible gas. Death or serious illness may result if inhaled. **Operate only in an area with good ventilation, NEVER IN A CONFINED AREA!**

**WARNING - DANGEROUS FUELS!**

Use extreme caution when storing, handling and using fuels - they are highly volatile and explosive in the vapor state. Do not add fuel while engine is running. Stop and cool the engine before adding fuel. **DO NOT SMOKE WHEN REFUELING!**

**SAFETY GUARDS**

It is the owner's responsibility to ensure ALL GUARDS AND SHIELDS are in place and in working order.

**IGNITION SYSTEMS**

Breakerless magneto and batteries ignition systems CAN CAUSE SEVERE ELECTRICAL SHOCKS, avoid contact with these components or their wiring.

**SAFE DRESS**

DO NOT WEAR loose clothing, rings, wristwatches, etc., near machinery.

**NOISE PROTECTION**

Wear O.S.H.A. specified hearing protection devices.

**FOOT PROTECTION**

Wear O.S.H.A. specified steel tip safety shoes.

**HEAD PROTECTION**

Wear O.S.H.A. specified safety helmets.

**EYE PROTECTION**

Wear O.S.H.A. specified eyes shields, safety glasses, and sweat bands.

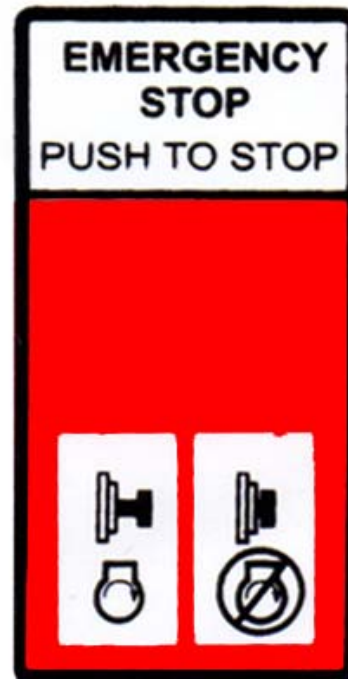
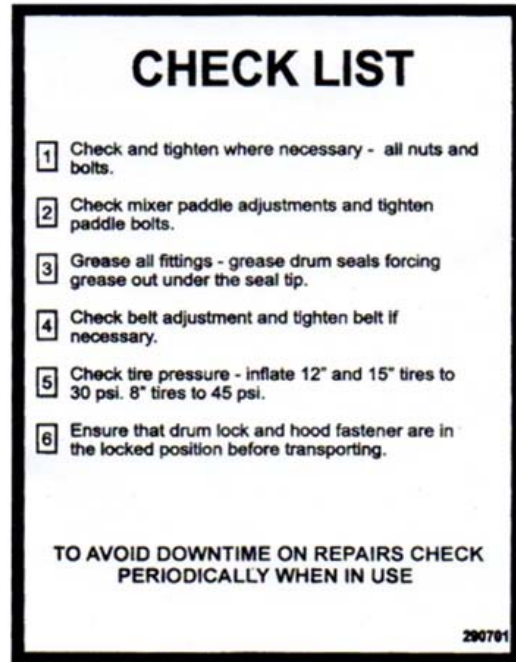
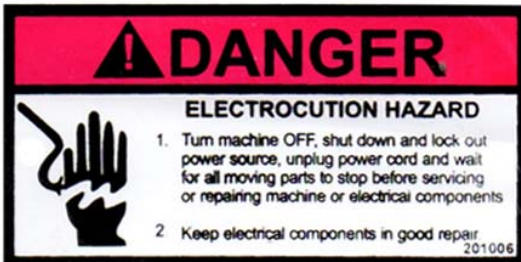
**DUST PROTECTION**

Wear O.S.H.A. specified dust mask or respirator.

**OPERATOR**

Keep children and bystanders off and away from the equipment.

Potential hazards associated with the operation of this equipment will be referenced with hazard symbols which may appear throughout this manual in conjunction with safety notes.



# SECTION 1 SAFETY

## Safety Symbols and Decals (cont'd)

**NOTICE**



- ENSURE TOW VEHICLE HAS TOWING CAPACITY FOR THE WEIGHT OF THIS MACHINE.
- DO NOT TOW THE MACHINE UNLESS THE DRAW BAR IS BOLTED IN PLACE AND THE SAFETY BOLT ON THE END OF THE DRAW BAR IS SECURELY FASTENED.
- CLOSE ENGINE FUEL CUTOFF (WHERE APPLICABLE) BEFORE TOWING MIXER TO PREVENT LEAKAGE INTO THE ENGINE CRANKCASE.
- USE 2 PEOPLE TO LIFT AND POSITION HITCH (PINTLE AND BALL) ON AND OFF TOW VEHICLE
- SECURELY ATTACH HITCH TO TOWING VEHICLE - PINTLE OR BALL TYPE COUPLER (BALL TYPE SHOWN). BE CERTAIN BALL CLAMP CAPTURES BALL AND LEVER OR HANDWHEEL IS FULLY CLAMPED. ENSURE USE OF SAFETY PIN THROUGH LATCH OR HANDWHEEL (FOR BALL TYPE COUPLER)
- SAFETY CHAIN ATTACHMENT (SEE ILLUSTRATION) CHAINS MUST CROSS UNDER THE DRAW BAR AND BE POSITIONED TO PREVENT THE DRAW BAR FROM DROPPING TO THE GROUND IN THE EVENT OF A HITCH FAILURE.
- CONNECT LIGHTING PLUG / ELECTRIC BRAKE PLUG (WHERE APPLICABLE)
- MAKE CERTAIN THAT THE WHEEL LUG NUTS AND AXLE MOUNTING HARDWARE ARE TIGHT
- CHECK PRESSURE AND OVERALL CONDITION OF TIRES.
- TEST BRAKES (IF APPLICABLE).



201150



**USE  
GASOLINE  
FUEL ONLY**

201152


**WARNING**

**MISSING GUARD HAZARD**  
Install, close and secure all guards, shields and hoods before operating.

201004



**MIX**




201354

**WARNING**



201005

**WARNING**



Improper operation of this equipment can cause serious injury or death.

Read Operator's Manual supplied with this machine before operation or servicing.

Modification or alteration of this machine can cause written consent the manufacturer.

Do not alter or modify this machine without the express written consent of the manufacturer.

201154

**! WARNING**

- 1 Read and understand Operators Manual and safety signs before starting.
- 2 A Stop engine, disconnect spark plug wire and wait for all moving parts to stop before servicing, maintaining, adjusting or cleaning.
- 2 B Turn motor off, unplug power cord or turn off power at master panel and wait for all moving parts to stop before servicing, maintaining, adjusting, or cleaning.
- 3 Keep hands, feet, hair and clothing away from moving parts.
- 4 Install, close and secure all guards, shields and hoods before operating.
- 5 A Do not place hands in the drum unless engine OFF and spark plug wire is disconnected.
- 5 B Do not place hands in the drum unless motor is OFF and power cord is unplugged.
- 6 A Stay away from hot engine components during operation.
- 6 B Have licenced electrician wire up provide power to the electric motor.
- 7 A Do not smoke when refueling.
- 7 B Use a power cord with the required capacity to carry the power to the motor.
- 8 A Follow good safety procedures when handling fuel
- 8 B Route the power cord out of the way or protect it from damage.
- 9 Do not operate in an explosive atmosphere or a poorly ventilated area without adequate ventilation
- 10 Keep working area dry and clean to prevent slipping and tripping.
- 11 Always attach safety chain when towing.
- 12 Comply with applicable transporting regulations when towing.
- 13 Do not allow riders during transporting.
- 14 Do not exceed a safe travel speed when transporting. Slow down for corners and when going over rough terrain.

201001

**! WARNING**



**ROTATING PART HAZARD  
KEEP AWAY**

To prevent serious injury or death rotating parts:

1. Install, close and secure all guards, shields and hoods before operating.
2. Do not place hands in drum unless the motor or engine is off and the power cord unplugged or the spark plug wire is disconnected
3. Keep hands, feet, hair and clothing away from moving parts.

201003

**! WARNING**

73  
km/hr

Excessive towing speed can cause serious injury or death.  
Do NOT exceed 45mph (73km/hr)

\* Make certain that the wheel lug nuts and axle mounting hardware are tight.

\* Check pressure and overall condition of tires.



201151

**! WARNING**



**ROTATING PART HAZARD**

Always stand clear of the dump handle when mixer is in operation. Any binding of material between mixer blades and the drum may cause drum handle to quickly move to the charge position.

201157

## SECTION 2 OPERATIONS

### Before Operating

- **REMEMBER!** It is the owner's responsibility to communicate information on the safe use and proper operation of this unit to the operators.
- Before operating, review **SAFETY PRECAUTIONS** listed on page 18 of this manual.
- Familiarize yourself with the operation of the unit and confirm that all controls function properly **BEFORE** starting engine.
- Locate the killing switch and assure you know how to **STOP** the unit.
- Make sure hands, feet, and clothing are at a safe distance from any moveable parts prior to starting.
- Shrouds and grids are provided to protect the operator or structures in close proximity to rotating hot engine parts. It is the **RESPONSABILITY OF THE OPERATOR** to see that they are properly in place.
- **OIL LEVEL** - Check the oil level in the engine. For more information see "Lubrication" under the engine "Owner's Manual" the "Service" section of this manual. All mixers come without oil running an engine without lubrication may damage the engine.
- **AIR CLEANER** - Check to ensure elements are in good condition and properly installed.
- Review every decal with the **OPERATOR**.
- **FUEL SUPPLY** - Engines on Mixer equipment require an automotive grade of clean, fresh, unleaded or regular gasoline. All mixers come without gasoline and oil.
- **FUEL FILTER** - Check to ensure element is in good condition...Replace if it is clogged or damaged.
- **LUBRICATION POINTS** - Make sure all pillow blocks and drum's trunnions have been properly greased.
- **PADDLES AND BLADES** - Check the paddles and make sure they are adjusted to about 1/16" interference. This is mandatory after installing rubber blades on the paddles.

Prior to starting engine, make sure mixer engagement lever is in the "IDLE" position.

## STARTING ENGINE

1. Open the fuel valve.
2. Pull the stop switch on the engine shroud to its "Out" position.
3. Move the engine throttle control to the "FAST" position.
4. Choke the engine if necessary.(You may not need to choke a warm engine)
5. Pull the starter string.
6. After the engine starts, move the choke lever to the open position, move the throttle level to the "IDLE" position and let the engine warm-up for one or two minutes.

## OPERATING

1. Allow the engine to warm up then move the throttle to the fast position.
2. Close the engine shroud



**DO NOT OPERATE THE MIXER WITH THE SHROUD OPEN!**

3. Move the engagement lever into the "MIX" position and load the mixer.
4. After loading a batch of mortar, it is recommended to add water for the next batch.
5. After discharging the final batch of mortar, add water to the drum while the mixer is running. Discharge the water after the inside of the mixer is clean.

## STOPPING ENGINE

1. Move the engagement lever to the "IDLER" position.
2. Whenever possible it is recommended to let the engine idle before stopping.
3. Push in the engine stop switch on the engine shroud.
4. Close the fuel valve.

## STOP THE ENGINE BEFORE:

- Adding fuel.
- Leaving equipment unattended for any amount of time.
- Making any repairs or adjustments to the unit.
- Transportation.

## TOWING:

1. Stop the engine or electric motor.
2. Close and hook the engine should.
3. Rotate the drum into the tow position and secured it with the locking pin.
4. Secure the mixer hitch and safety chains to the vehicle.

## BEFORE TOWING:

- Make sure the axle and tow bar hardware is tightened.
- Check the condition of the pin on the tow bar and make sure it is secured.
- Remove any loose debris from the mixer.
- Use safety chains when towing.

**SERVICE INSTRUCTIONS**

- Never service or lubricate the unit engine while running.
- After servicing the unit, restore and fasten all guards, shields, and covers to their original positions.
- Never drain oil into the ground, into open streams, or down sewage drains.

**ENGINE**

- See engine owner's manual maintenance schedule.

**DRUM**

- Wash the drum after every day's usage.
- Pull the locking pin and tip the drum forward to drain water excess.
- Return drum to towing position and secure with locking pin before moving mixer.

**LUBRICATION**

- Grease all fittings daily. All mixers have 6 grease fittings, 4 pillow blocks and 2 drum trunnions. Two of the fittings are located at each end of the mixer drum on the top of pillow blocks and trunnions. The two remaining grease fittings are located under the engine shroud on the top of the intermediate shaft pillow blocks.





# Maintenance Schedule

## SECTION 3 SERVICE

Item	Maintenance	Each	Every	Every	Every	Yearly
		use	20 hours	50 hours	100 hours	
<b>Engine</b>	Refer to engine operator/ owner manual	<b>X</b>				<b>X</b>
<b>Bearings</b>	Grease	<b>X</b>				<b>X</b>
<b>V-Belts</b>	Check for excessive wear		<b>X</b>			<b>X</b>
<b>Roller chain</b>	Check for excessive wear		<b>X</b>			<b>X</b>
<b>Hardware</b>	Check and tighten 1,2		<b>X</b>	<b>X</b>		<b>X</b>
<b>Tires</b>	Check air pressure	<b>X</b>				

VISIT US!!!



[www.alleneng.com](http://www.alleneng.com)

LIKE US!!!



[www.facebook.com/AllenEngineering](http://www.facebook.com/AllenEngineering)

FOLLOW US!!!



[@alleneng](https://twitter.com/alleneng)

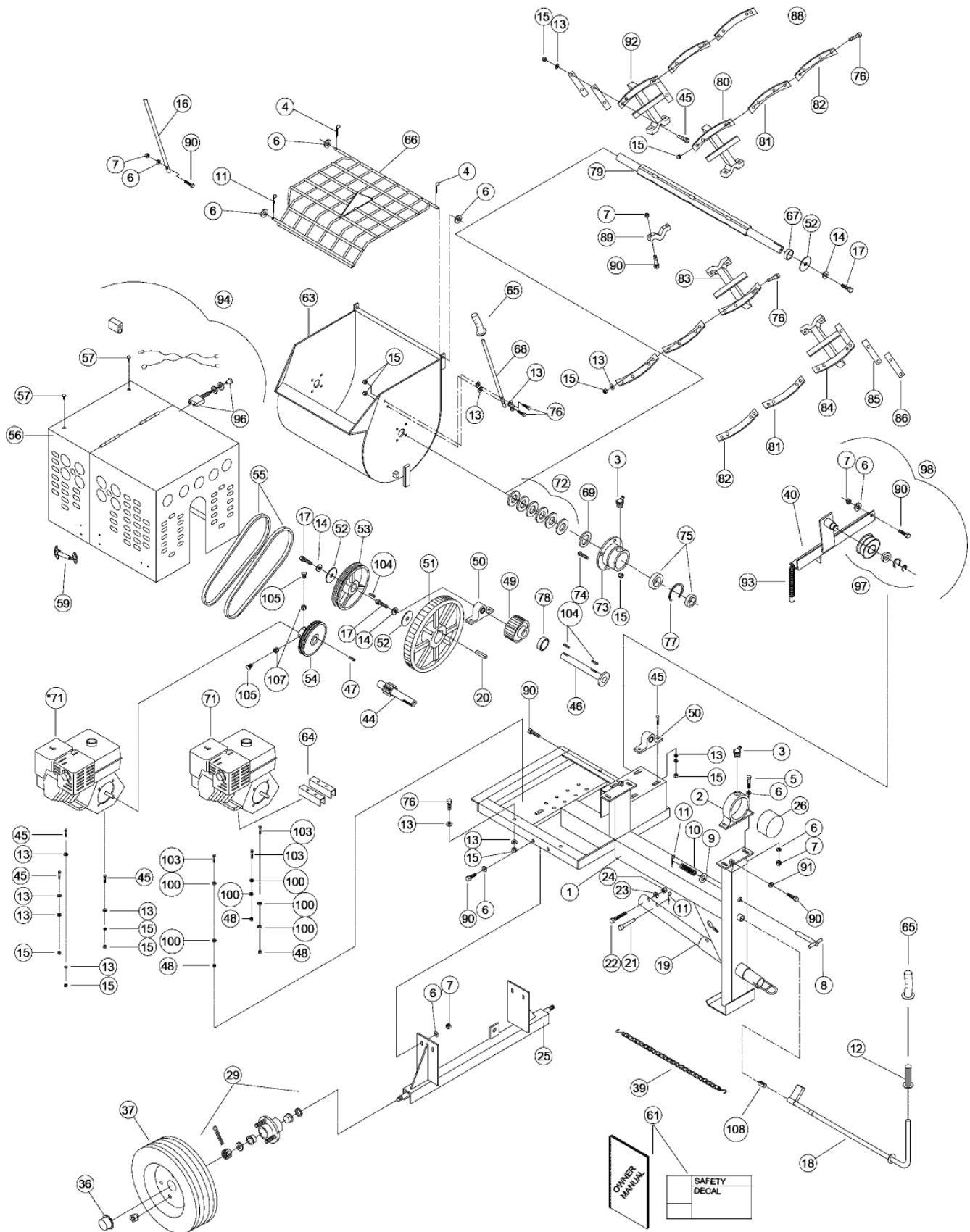
WATCH US!!!



[www.youtube.com/AllenMachinery](http://www.youtube.com/AllenMachinery)

# SECTION 4 PARTS

## Mortar Mixer (AMM6H8, AMM8PH8, AMM9H8) - Illustration



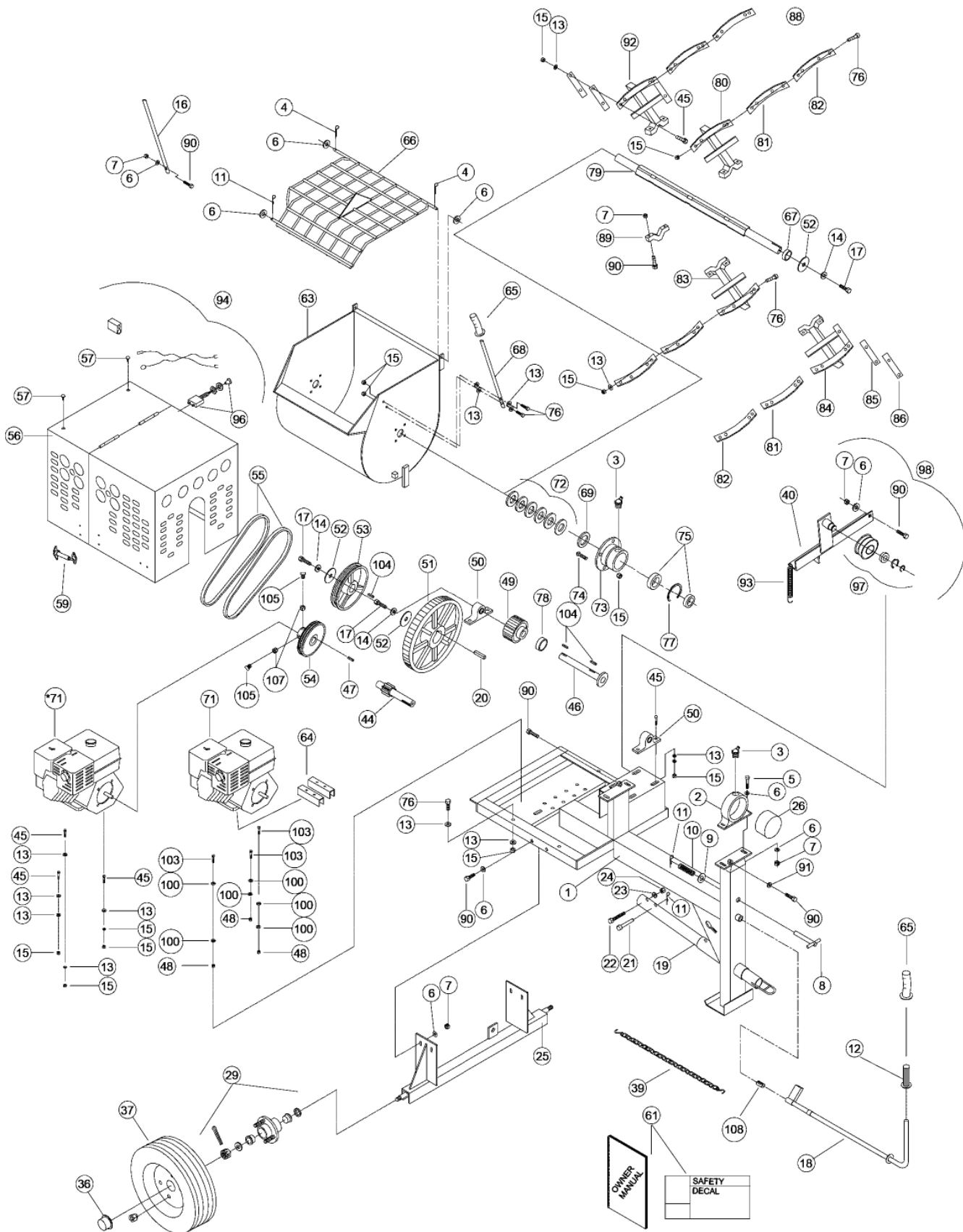
# Mortar Mixer (AMM6H8, AMM8PH8, AMM9H8) - Parts List

## SECTION 4 PARTS

Item	Part #	Description	AMM6H8	AMM8PH8	AMM9H8
1	064057	Frame	1		
	064058	Frame		1	
	064059	Frame			1
2	064060	Pillow Block	2	2	2
3	064061	Fitting, grease 45 deg	4	4	4
5	064024	Hex head cap screw 1/2-13 x 2-1/2	4	4	4
6	064025	Plainwasher 1/2	20	20	20
7	064049	Locknut, 1/2	16	16	16
8	064065	Pin,lock	1	1	1
9	064032	Plainwasher 3/4	1	1	1
10	064046	Spring	1	1	1
11	064068	Pin, hair	5	5	5
12	064069	Handle grip small	1	1	1
13	064017	Plainwasher 3/8	64	68	68
14	064022	Lockwasher 3/8	3	3	3
15	064020	LOCKNut hex 3/8	42	44	44
16	064073	Handle grid	1	1	1
17	064016	Hex head screw 3/8 x 1NF	3	3	3
18	064075	Control Handle	1	1	1
19	064076	Hitch, pintle	1	1	1
	064077	2" Ball hitch ( optional )	1	1	1
20	064078	Key 3/8 x 2	1	1	1
21	065684	Pin, locking	1	1	1
22	064080	Hex head screw 3/4 x 3-1/2	1	1	1
23	064081	Lockwasher 3/4	1	1	1
24	065685	Nut hex 3/4	1	1	1
25	065686	Axle ASSEMBLY	1	1	1
26	064084	Dust cover for paddle shaft ( just certain model )	1	1	1
29	064085	Hub, asm, 4 bolt	2	2	2
36	064086	Cover, dust	2	2	2
37	064087	Wheel and tire asm 165-80-R13	2	2	2
	065687	Wheel rim	2	2	2
39	064089	Chain	1	1	1
40	064090	Idler arm	1	1	1
42	065688	Retaining ring, external 1"	1	1	1
43	065689	Retaining ring, internal 2"	1	1	1
44	068690	Bearing idler arm	1	1	1
45	064038	Hex head screw 3/8 x 2	6	6	6
46	064095	Shaft main 1" x 7 1/4"	1	1	1
47	064096	Key 1/4	1	1	1
	064097	Key 3/16	1	1	1
48	064098	Nut hex 5/16"	4	4	4
49	064099	Pinion 12 Th	1	1	1
50	064100	Pillow block bearing 1"	2	2	2
51	064101	Gear 96 Th	1	1	1
52	065691	Plain Washer 3/16	3	3	3

# SECTION 4 PARTS

## Mortar Mixer (AMM6H8, AMM8PH8, AMM9H8) - Illustration - (cont'd)



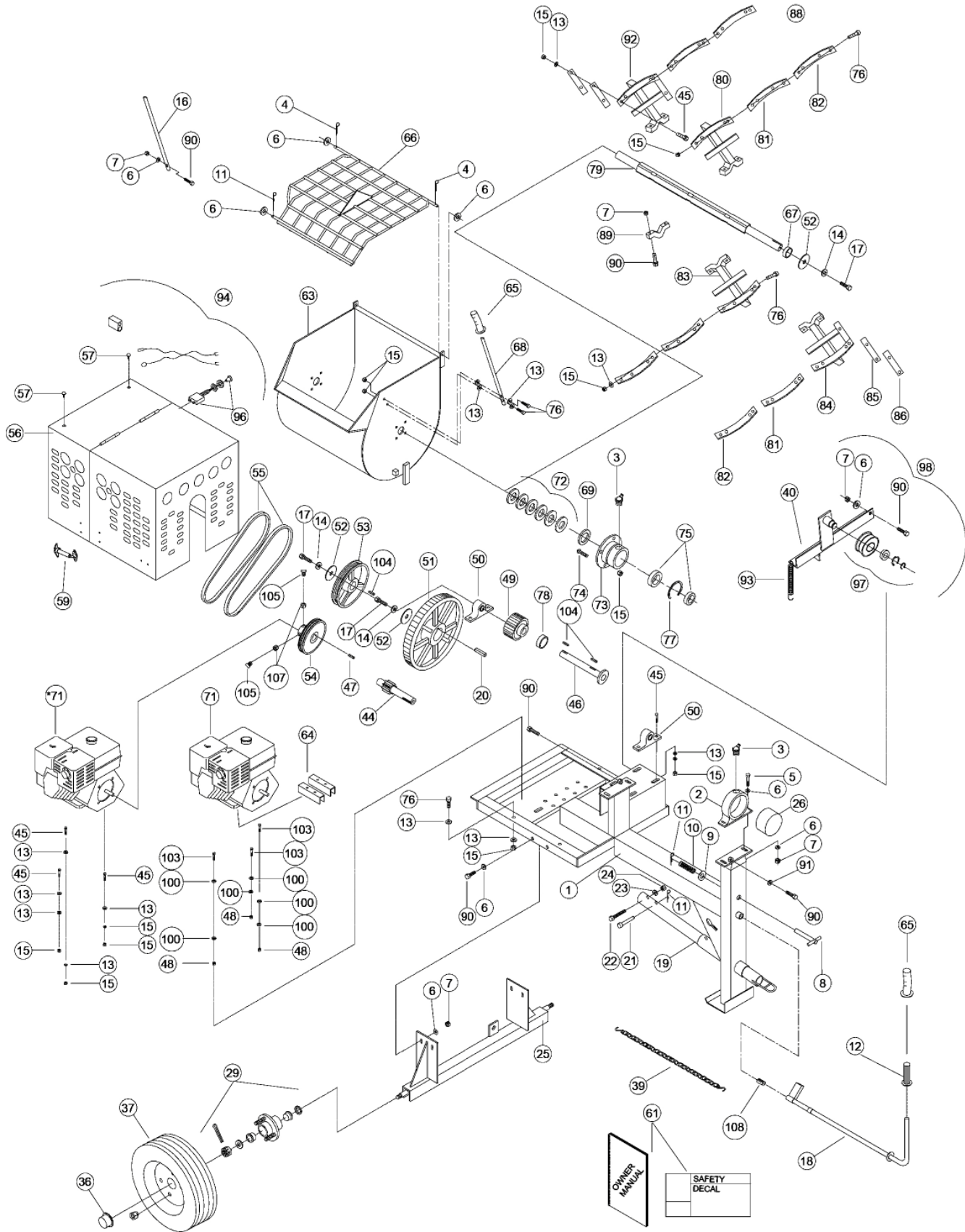
# Mortar Mixer (AMM6H8, AMM8PH8, AMM9H8) - Parts List - (cont'd)

## SECTION 4 PARTS

Item	Part #	Description	AMM6H8	AMM8PH8	AMM9H8
53	064103	Pulley 8"	1	1	1
	064104	Pulley 12" 2 groves engine electric	1	1	1
54	065389	Pulley 3-3/4" engine 8 H.P. Honda 1"	1	1	1
	064106	Pulley 3-3/4" engine 5.5 H.P. Honda 3/4"	1		
	064107	Pulley for the electric engine 2.5" 2 groves	1	1	1
55	064108	Transmission belt for Honda AX37	2	2	2
	064109	Transmission belt for electric engine AX52	2		
56	064110	Shroud assembly ( black )	1	1	1
57	064039	Ruber screw	2	2	2
59	064041	Hook assembly	2	2	2
61	064113	Safety decal with owners manual	1	1	1
63	064114	Drum AMM6H8	1		
	064115	Drum assembly complete AMM6H8	1		
	064116	Drum AMM8PH8		1	
	064117	Drum assembly complete AMM8PH8		1	
	064118	Drum AMM9H8			1
	064119	Drum assembly complete AMM9H8			1
64	064120	Bracket support	2		
65	065695	Handle grip	2	2	2
66	064122	Grid	1		
	064123	Grid		1	
	064124	Grid			1
67	064125	Bushing main shaft	1	1	1
68	064126	Handle, tilt	1	1	1
69	064127	Steel seal	2	2	2
70	065696	Electric harness	1	1	1
71	065397	Engine Honda 5.5 h.p.	1		
	065400	Engine Honda 8.0 h.p.	1	1	1
72	061708	Kit, seal mixer	2	2	2
73	064132	Trunnion 4 bolts (3/8")	2	2	2
74	064133	Carriage bolt 3/8" x 1-1/2"	8	8	8
75	065697	Kit, bearing ( incl grease seal )	2	2	2
76	065698	Hex head cap screw 3/8" x 1-1/2"	23	25	25
77	064136	Retaining ring, internal 3"	2	2	2
78	065699	Bushing 1" X 1 5/8"	1	1	1
79	064138	Main shaft AMM6H8	1		
	064139	Main shaft AMM8PH8		1	
	065423	Main shaft AMM9H8			1
80	064141	Paddle center, right	1		
	064142	Complete paddle set for AMM6H8	1		
	064143	Paddle center, right		1	1
	064144	Complete paddle set for AMM8PH8-AMM9H8		1	1
81	064145	Blade rubber center	4	4	4
82	064146	Center blade	4	4	4

# SECTION 4 PARTS

## Mortar Mixer (AMM6H8, AMM8PH8, AMM9H8) - Illustration - (cont'd)



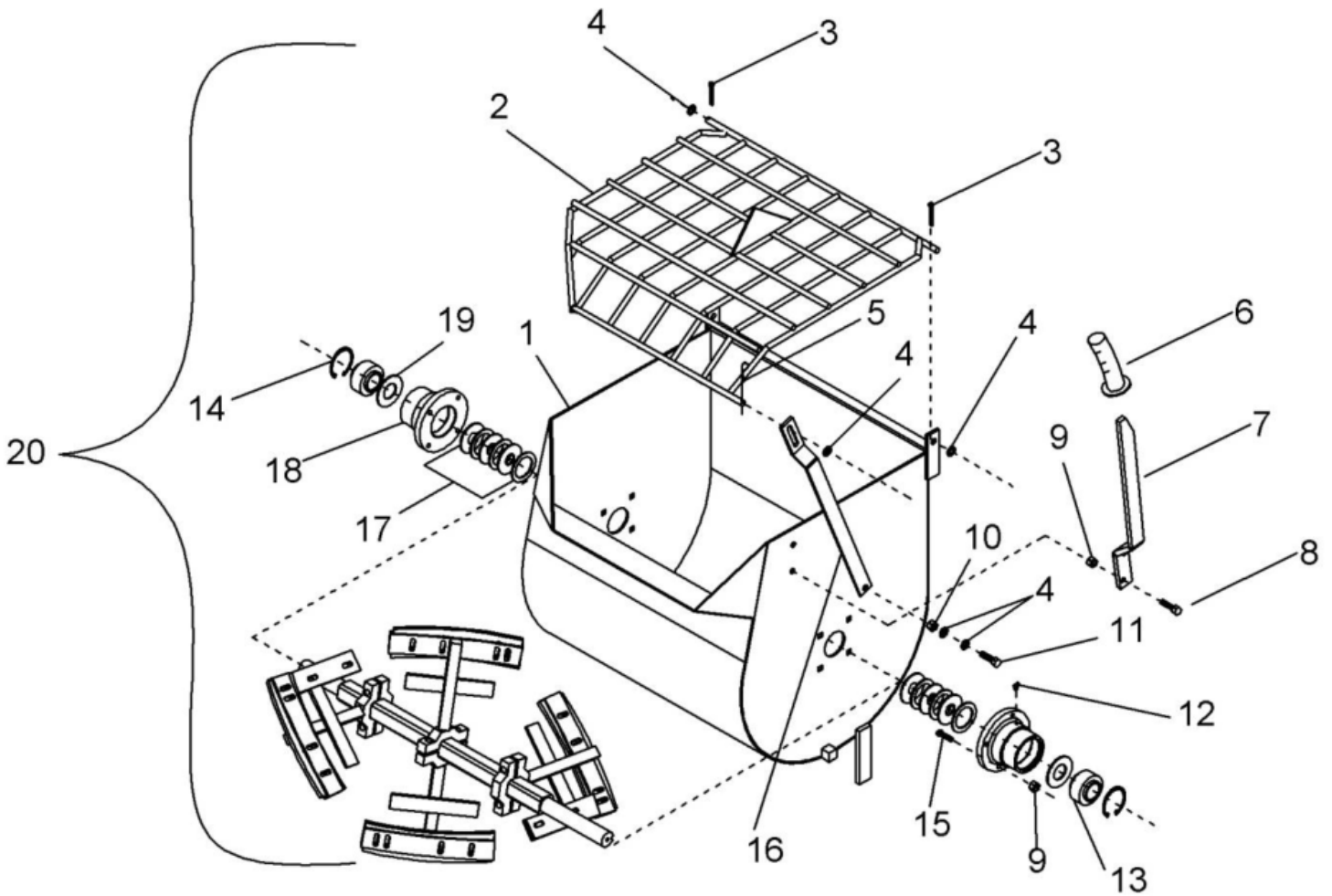
# Mortar Mixer (AMM6H8, AMM8PH8, AMM9H8) - Parts List - (cont'd)

## SECTION 4 PARTS

Item	Part #	Description	AMM6H8	AMM8PH8	AMM9H8
83 84 85	064147	Paddle, center left	1		
	064148	Paddle, center left		1	1
	064149	Paddle, end left	1		
	064150	Paddle, end left		1	1
	064151	Blade, rubber side	2		
	064152	Blade, rubber side		2	2
86	064153	Blade, wiper side	2		
	064154	Blade, wiper side		2	2
89	064155	Bracket, paddle arm	2	2	2
90	064156	Hex head cap screw 1/2 x 1 3/4	14	14	14
92	064157	Paddle, end right	1		
	064158	Paddle, end right		1	1
93	064159	Spring	1	1	1
94	064160	Push stop complete	1	1	1
96	064161	Switch	1	1	1
97	064162	Complete clutch	1	1	1
98	065701	Electric conector	1	1	1
99	065702	Idler pulley	1	1	1
100	064165	Plain washer 5/16 I.D. X 3/4 O.D.	8	8	8
103	064166	Hex head screw 5/16 x 3"	4	4	4
104	064167	Key 1/4" x 1 7/8"	3	3	3
105	064168	Hex head set screw 3/8" X 1"		2	2
	064036	Hex head set srew 3/8" x 1 1/4"	2		
106	064170	Complete steel spiral blade kit	1		
	064171	Complete steel spiral blade kit		1	
	064172	Complete steel spiral blade kit			1
107	065703	Nut, hex 3/8 NF	2	2	2
108	064175	Pin locker 3/8 x 1-1/2	1	1	1

SECTION 4  
PARTS

Mortar Mixer (AMM12H13)  
Drum Assembly - Illustration





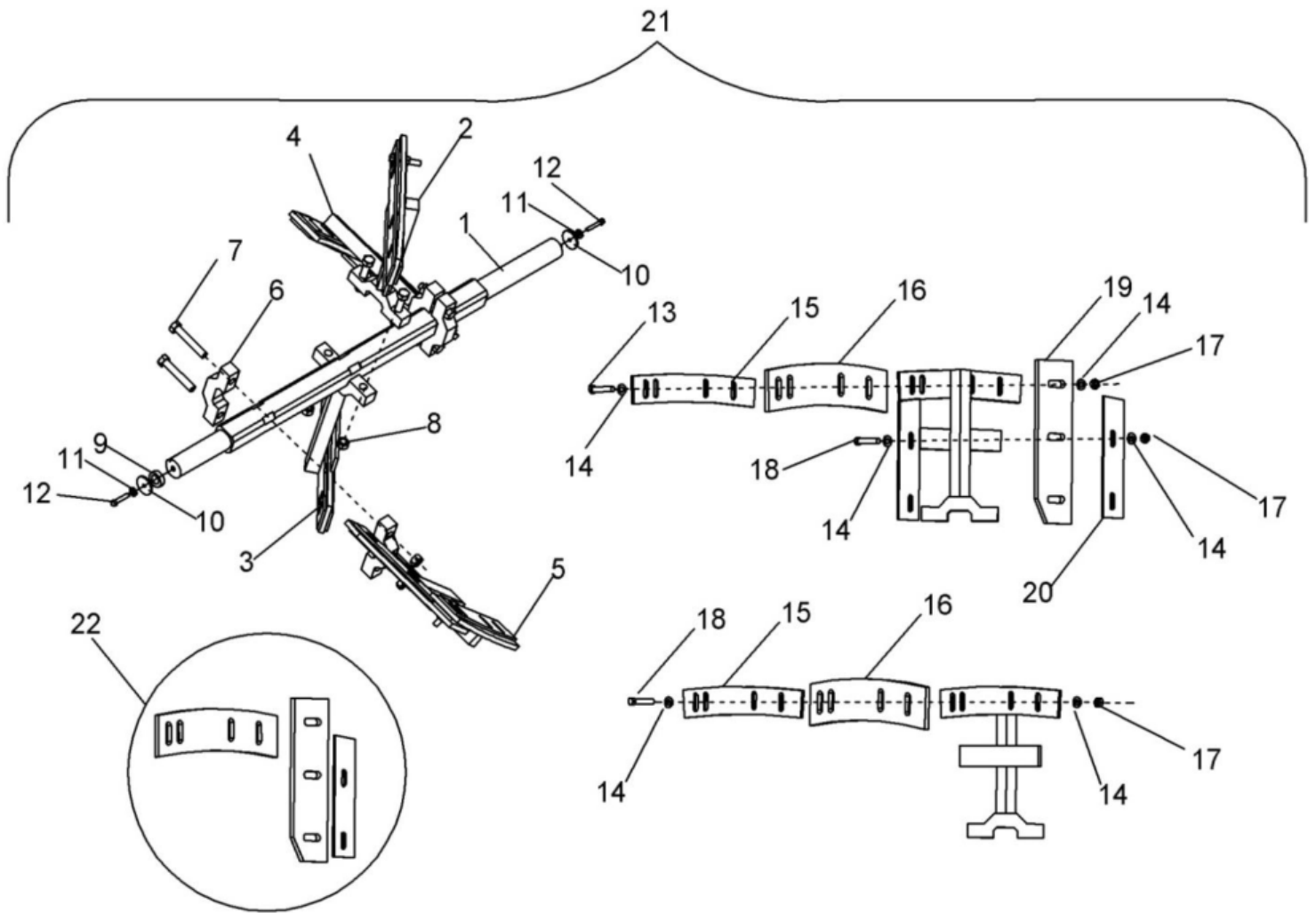
## Mortar Mixer (AMM12H13) Drum Assembly - Parts List

## SECTION 4 PARTS

Item	Part #	Description	Qty
1	065384	Drum, 32-1/2"	1
2	065385	Grid	1
3	065704	Grid Pin Cotter, 3/16 x 2	2
4	064025	Washer Plain, 1/2	5
5	064068	Towing / Dumping, Lock Hair Pin	1
6	065705	Dumping Handle & Control Handle Grip	1
7	064126	Drum Dumping Handle With Grip	1
8	064019	Bolt, HexHd, 3/8 x 1-1/2	2
9	064020	Lock Nut, Hex, 3/8	10
10	064049	Lock Nut, Hex, 1/2	1
11	064156	Bolt, HexHd, 1/2 x 1-3/4	1
12	064061	Bearing Fitting, grease 45 deg	2
13	064134	Drum Trunnion Bearing Kit With Fiting Grease	2
14	064136	Drum Trunnion Retaining Internal Omega-ring 3	2
15	064133	Carriage bolt 3/8" x 1-1/2"	8
16	065706	Handle Grid	1
17	061708	Drum Hub Seals Kit (one end)	2
18	064132	4 Holes Drum Trunnion for 3/8" Hex Screws	2
19	064127	Drum Hub Steel Seals	2
20	065707	Drum Assembly Complete	1

# SECTION 4 PARTS

## Mortar Mixer (AMM12H13) Paddle Assembly - Illustration



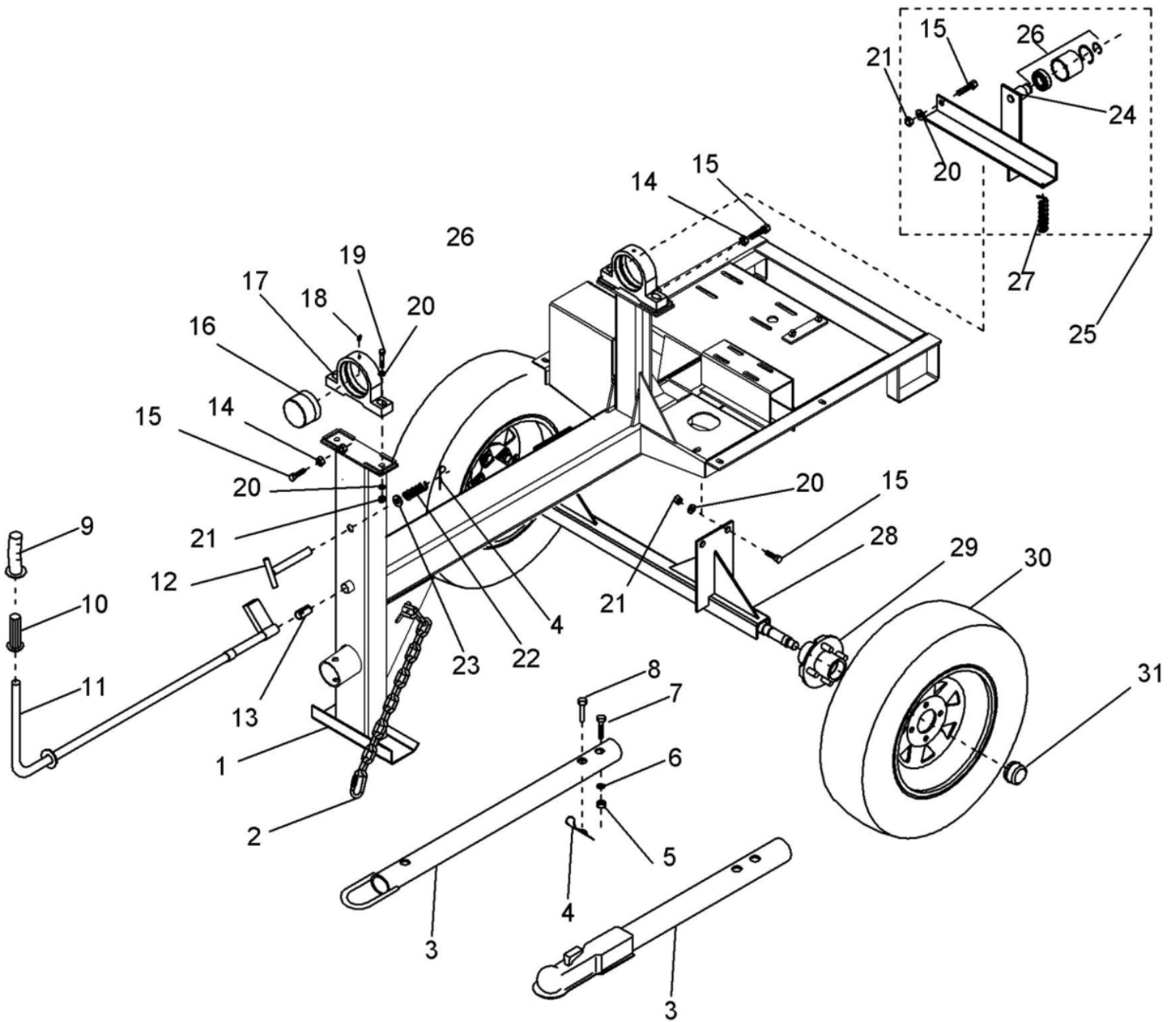
# Mortar Mixer (AMM12H13) Paddle Assembly - Parts List

## SECTION 4 PARTS

Item	Part #	Description	Qty
1	065424	Square Shaft Main 1-3/4 x 43-1/4	1
2	065391	Paddle Center Right	1
3	065392	Paddle Center Left	1
4	065393	End Paddle Right Arm	1
5	065393	End Paddle Left Arm	1
6	064155	Paddle end Left And Right Arms Brackets	2
7	065708	Bolt, HexHd, 1/2 x 3	6
8	064049	Lock Nut, 1/2	6
9	064125	Main Shaft Bushing	1
10	065709	Central Shaft Washer 3/16	2
11	065710	Spring Washer 3/8"	2
12	065711	Bolt, HexHd, 3/8 x 1 NF	2
13	065712	Bolt, HexHd, 3/8 x 2-1/2	2
14	064017	Plain Washer 3/8"	40
15	064146	Center Paddle Steel Blade	4
16	064145	Center Paddle Rubber Blade	4
17	064020	Lock Nut, 3/8	20
18	065713	Bolt, HexHd, 3/8 x 1-3/4	18
19	064152	End Paddle Side rubber Blade	2
20	064154	End Paddle Side Steel Blade	2
21	065396	Complete Paddle set	1
22	065422	Rubber Blade set	1

# SECTION 4 PARTS

## Mortar Mixer (AMM12H13) Frame Assembly - Illustration



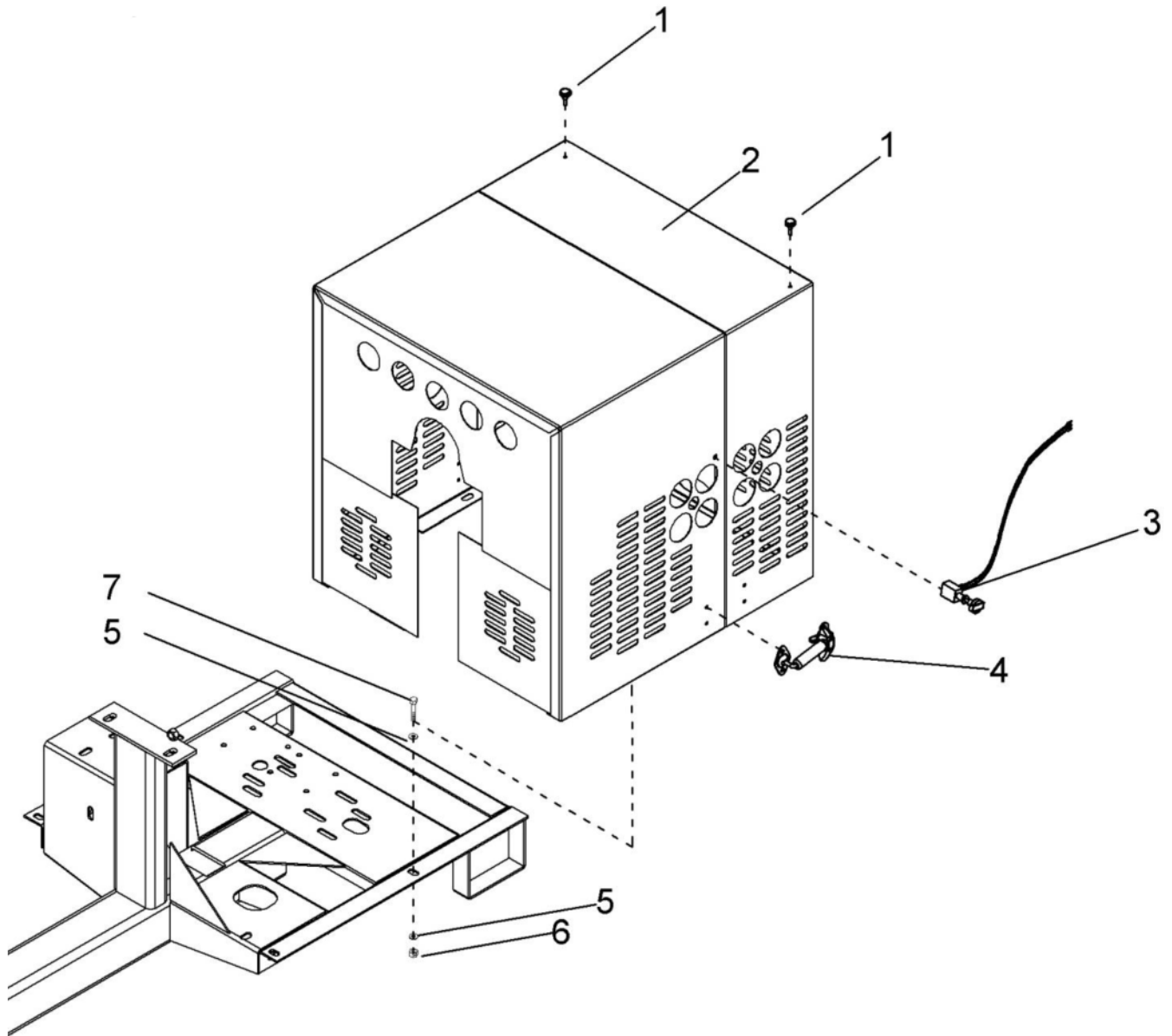
# Mortar Mixer (AMM12H13) Frame Assembly - Parts List

## SECTION 4 PARTS

Item	Part #	Description	Qty
1	065387	Frame	1
2	065714	Chain includes Oval Snap Hook	1
3	064076	Pintle ,Hitch (Horizontal Hole)	1
	064077	2" Ball Hitch (Horizontal Hole)	OPT
4	064068	Towing/ Dumping, Lock Hair Pin	2
5	065715	Nut Hex, 3/4 NF	1
6	064081	Spring Washer, 3/4	1
7	064080	Bolt, HexHd, 3/4 x 3-1/2	1
8	064079	Towing Hitch, Lock Pin	1
9	065716	Control Handle Grip	1
10	064069	Idler Handle grip Holder	1
11	065717	Control handle MM120 includes Drive Top	1
12	064065	Towing/ Dumping, Lock Pin	1
13	065718	Control Handle Lock Pin 5/16 x 1-1/2	1
14	065719	Transmission Pillow Block Lock nut Hex 1/2	2
15	064156	Bolt, HexHd, 1/2 x 1-3/4	7
16	064084	Drum Bearings Dust Cap Upgrade	1
17	064060	Drum Pillow Block	2
18	064061	Bearing Fitting, grease 45 deg	2
19	064024	Bolt, HexHd, 1/2 x 2-1/2	4
20	064025	Plain Washer, 1/2	13
21	064049	Lock Nut, 1/2	9
22	064046	Compression Spring 1 x 3	1
23	064032	Plain Washer, 3/4	1
24	064090	Idler arm Bracket	1
25	065720	Clutch Complete	1
26	064162	Bearing Clutch Complete	1
27	064159	Idler Arm Spring (tension spring 1 x 3)	1
28	065721	Standard Axle	1
	065722	Axle assembly	1
29	065723	Hub, Assey, 4 bolt	2
30	064087	Wheel and tire ass'y 165-80-R13	2
	065724	Wheel Rim	2
31	065725	High Speed Wheels Hub,Dust Cap	2

SECTION 4  
PARTS

Mortar Mixer (AMM12H13)  
Hood Assembly - Illustration



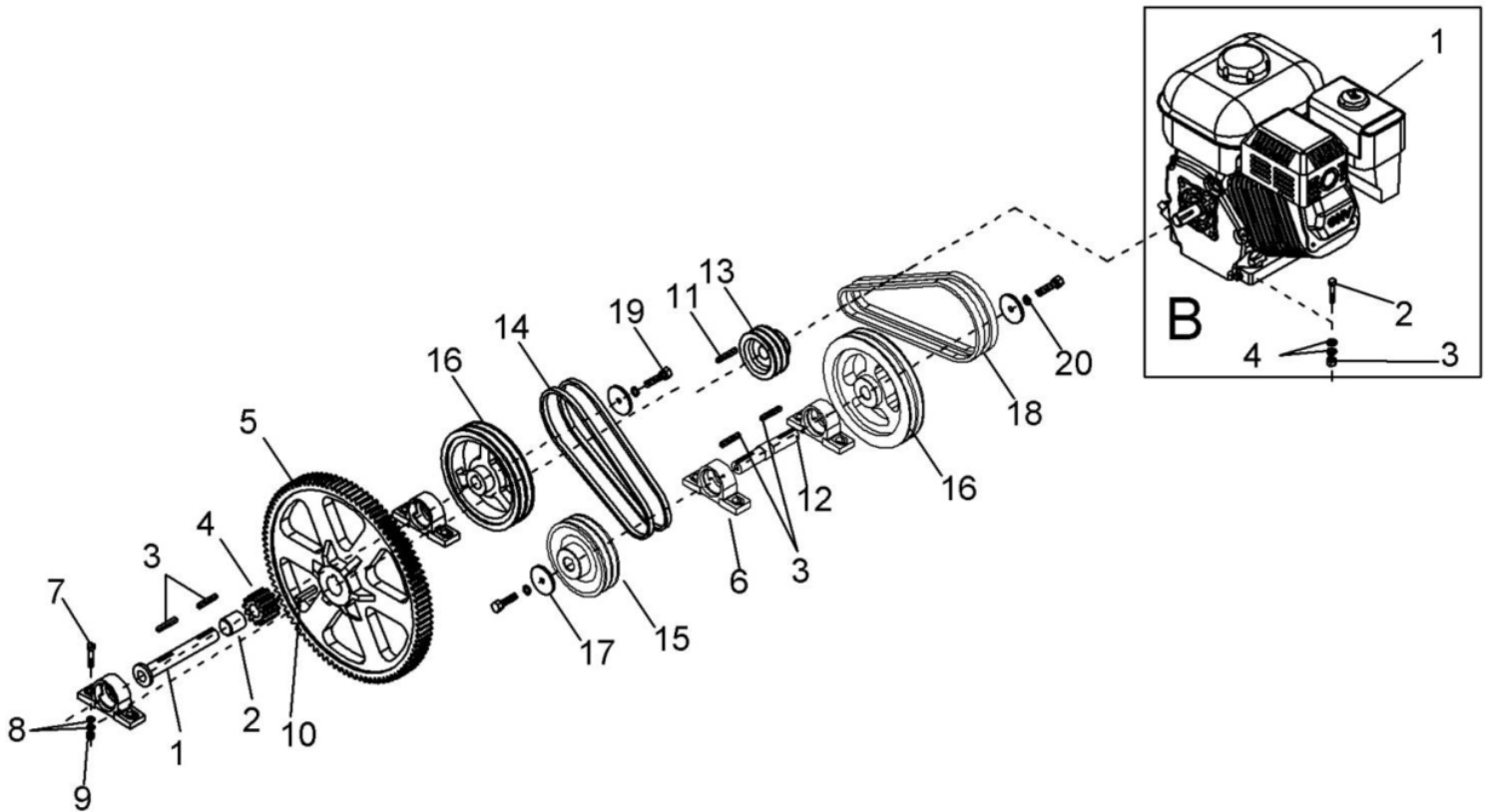
## Mortar Mixer (AMM12H13) Hood Assembly - Parts List

## SECTION 4 PARTS

Item	Part #	Description	Qty
1	064039	Shroud Rubber Screw	2
2	064110	Square Shroud assey	1
3	064160	Shroud assy Push stop	1
	064161	Kill Switch	1
4	064041	Shroud Hook Assy	2
5	064017	Plain Washer, 3/8	8
6	064020	Lock Nut, 3/8	4
7	064019	Bolt, HexHd, 3/8 x 1-1/2	4

# SECTION 4 PARTS

## Mortar Mixer (AMM12H13) Motor Drive Assembly - Illustration



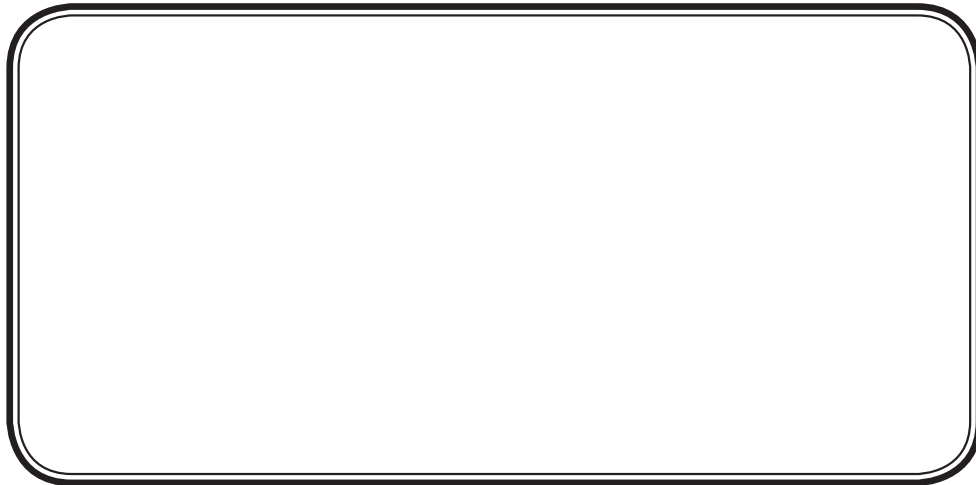


# Mortar Mixer (AMM12H13) Motor Drive Assembly - Parts List

## SECTION 4 PARTS

Item	Part #	Description	Qty
1	065395	HONDA ENGINE GX390 WITH 6:1 REDUCER	1
	065388	Transmission Shaft 1" x 6-1/2"	1
2	065726	Bushing 1" x 1"	1
3	065727	Transmission Key 1/4 x 1-1/4	4
4	065728	Pinion 12 TH	1
5	064101	Gear 96 TH	1
6	064100	Pillow Block Bearing 1"	4
7	064038	Bolt, HexHd, 3/8 x 2	8
8	064017	Plain Washer 3/8"	16
9	064020	Lock Nut, 3/8	8
10	064078	Bull Gear Key 3/8 x 2	1
11	064096	Engine Key for 8HP & 13HP Honda 1/4	1
12	065729	Double Transmission Main shaft	1
13	065389	2 Grooves Pulley 4-1/4" (includes Set Screw and Nut)	1
14	064109	Electric Engine Transmission Belt AX52	2
15	065390	2 Grooves, Pulley 6"	1
16	064103	2 Grooves Transmission Pulley 8"	2
17	065730	Central Shaft Washer 3/16	3
18	064108	Gas Engine Transmission Belt AX37	2
19	065731	Bolt, HexHd, 3/8 x 1 NF	3
20	064022	Washer Spring 3/8"	3

**YOUR TOTAL SOURCE FOR CONCRETE EQUIPMENT**



**allen**  
**ENGINEERING**  
CORPORATION

**800-643-0095 or 870-236-7751**  
**FAX: 800-643-0097 or 870-236-3934**

P.O. Box 819 Paragould, Arkansas 72451 USA  
[www.alleneng.com](http://www.alleneng.com)