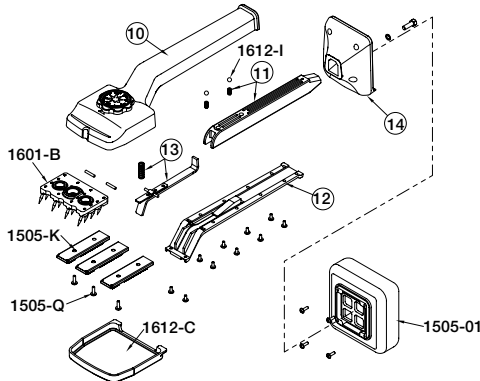


## INSTRUCTIONS

1. **INTENDED USAGE:** Knee Kickers should be used for light carpet stretching, since hard kicking can be injurious to the user. Use a power stretcher in situations requiring more than light kicking.
2. **LENGTH ADJUSTMENT:** A press of the trigger allows the choice of 5 length adjustments from 17  $\frac{3}{4}$ " to 21  $\frac{3}{4}$ ".
3. **PIN PENETRATION:** The pin adjustment dial gives a visual reference showing pin depth. Set the depth to the approximate carpet thickness. In use, the long pins should reach through the pile into the carpet backing, but not through the backing.
4. **BUMPER PAD ROTATION:** The bumper is seamless and is foam-filled. The pad can be turned for an even distribution of wear.

### PARTS DIAGRAM



### MODEL No. 445

<b>Order No.</b>	<b>Description</b>
1445-10	Main Body & Knob Assembly
1445-11	Adjusting Pole, Springs & Balls
1445-12	Bottom Cover & Screws
1445-13	Trigger Assembly & Spring
1445-14	Bumper Support & Screw
1505-01	Bumper & Screws (4)
1505-K	Gripper Inserts (3)
1505-Q	Gripper Screws (3)
1601-B	Pin Plate
1612-C	Cover Cap
1612-I	Balls & Springs Set

**CRAIN CUTTER CO., INC.**  
**1155 WRIGLEY WAY**  
**MILPITAS, CA 95035-5426**

PLACE  
STAMP  
HERE

PLEASE FILL OUT AND MAIL  
THIS CARD TO VALIDATE YOUR  
**CRAIN** GUARANTEE.

NAME \_\_\_\_\_

ADDRESS \_\_\_\_\_

CITY \_\_\_\_\_

STATE \_\_\_\_\_ ZIP \_\_\_\_\_

**TOOL PURCHASED:**

**No. 445 Knee Kicker**

PURCHASED FROM \_\_\_\_\_

DATE PURCHASED \_\_\_\_\_

PLEASE CHECK

- INDIVIDUAL FLOORING INSTALLER  
 WORKROOM  
 FLOORING DEALER  
 INSTALLATION CONTRACTOR  
 OTHER \_\_\_\_\_

\_\_\_\_\_

# **CRAIN**

## **GUARANTEE**

This Crain Knee Kicker is guaranteed to be free of defects in workmanship or quality of materials for a period of three years.

Any parts of tools found defective subject to the guarantee will be replaced at no charge. Credit in full or part cannot be extended by the distributor. New tools will not be given as replacements for those pending a warranty adjustment.

All merchandise returned subject to this warranty must be in complete, assembled condition and should be shipped **FREIGHT PREPAID** to **CRAIN CUTTER CO., INC.**, Milpitas, CA. A copy of the Bill of Sale (proof of purchase) must be included. No consideration will be given to unassembled parts. All disputes will be up to the determination of the **CRAIN CUTTER CO., INC.** and their decision will be final. The liability of the company is limited to repairing or replacing any defective products.